

## OWNERS GUIDE

Read all information and instructions, including Gaslight Warning Tag attached to light, before installation or use. Retain this guide for future reference.

# Humphrey

## INDOOR GASLIGHTS



### Information and Instructions

Model 9 and 9B for homes, cottages, and cabins (preformed mantle).

Model 9T and 9BT must be used for recreational vehicles (tie-on mantle)

Installation must conform with local codes or, in the absence of local codes, with the National Fuel Gas Code, ANSI Z223.1 (latest edition), and/or with CAN1-B149.2 (latest edition) installation code for propane and butane burning appliances and equipment, and local codes.

**Do not store or use gasoline or other flammable vapors and liquids in the vicinity of this or any other appliance.**

### IMPORTANT INFORMATION FOR USING HUMPHREY INDOOR GASLIGHTS

Use Gaslight only for purposes of illumination. Installation and repair of equipment that operates on propane or butane gas is a job for experts. Do not attempt to install or repair your gaslight unless you have been thoroughly trained and are experienced in such matters. If your gaslight appears to be malfunctioning, turn it to the "OFF" position and immediately contact your local dealer or the Humphrey factory.

After installation and before use, have qualified gas personnel approve your installation. Any other gas transporting component should be checked. Subjecting valve assembly to testing pressures in excess of 8 PSI can damage sealing grease which can cause leaks and voids warranty.

Use your gaslight in vented Rooms only.

Carbon monoxide is produced by the incomplete combustion of fuel.

**CAUTION**  
**If you smell gas:**  
**Do Not Strike a match**  
**Get out**  
**Shut off Gas**

### MANTLE INSTALLATION & LIGHTING INSTRUCTIONS

Do not use defective mantles (holes, etc.). Replace defective mantles immediately.

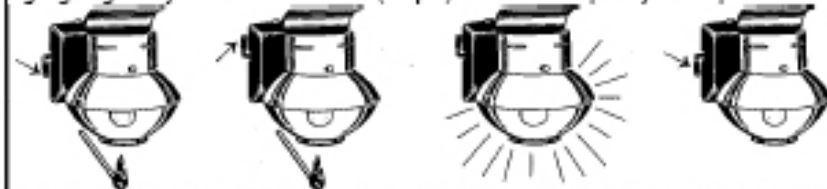
After installation and before use have qualified gas personnel approve your installation and check for gas leaks using a leak detector. Tubing, fittings, gaslight valve, and any other gas-transporting component should be checked. After gaslight has been properly installed and thoroughly checked for leaks by qualified gas personnel only:

1. Remove globe.
2. a. Pre-formed mantle: Grasp ceramic ring - do not touch mantle itself. Hook legs into reverse "L" of the burner nose.  
b. Tie-on mantle: Loop the tie-on strings at the throat of the mantle. Work fingertips into mantle throat and enlarge the opening so that it will fit over the ceramic burner nose and seat in lower groove of burner nose. Do not tie the mantle to the burner. Distribute puckers in the mantle evenly around the burner nose. Pull the ends of the string snugly so that mantle and string are seated securely in the burner nose groove. Tie a double knot and clip off excess string.
3. Replace globe.
4. Mantle burn-off: WITH GASLIGHT VALVE HANDLE IN THE "OFF" POSITION, and in a well ventilated room, hold a lighted match close to, but not touching, bottom of mantle. Remove match when mantle begins to smolder. Allow fabric to burn completely.  
Caution: After burn off, mantle is a chemical ash. It will break if touched. Upon lighting of gaslight, it will shrink to its final form.
5. Lighting of gaslight: Light gaslight only after mantle burn-off (Step 4) has been completely accomplished. Caution: Do not turn gaslight to "ON" position until after lighting match. Do not touch mantle with the match.  
Note: When gaslight is newly installed, air may be present in the gas line. Several matches may be required before the gaslight will light. After a new mantle is ignited, allow it to burn for five to ten minutes so it will shrink to its final form. Gaslight is now ready for use.
6. Turning gaslight off: To turn off, simply move gaslight valve handle to the "OFF" position.



### LIGHTING GASLIGHT

Light gaslight only after mantle burn-off (Step 4) has been completely accomplished.



Caution: Do not turn gaslight to "ON" position until after lighting match.

Turn gaslight to "ON" position. Do not touch mantle with the match.

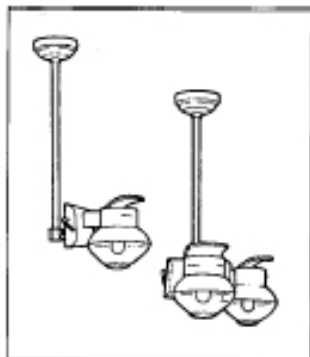
When gaslight is burning properly, flame is bright white and has no visible outlines.

To turn off, simply move gaslight valve handle to the "OFF" position.

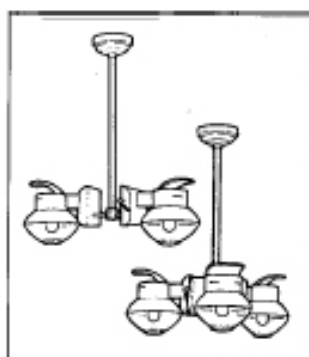
## OPTIONAL OPK "3-IN-1" KIT

## LIMITED WARRANTY

Suspends the gaslights in single, double or triple pendants.



Ideal for over sink or in corner.

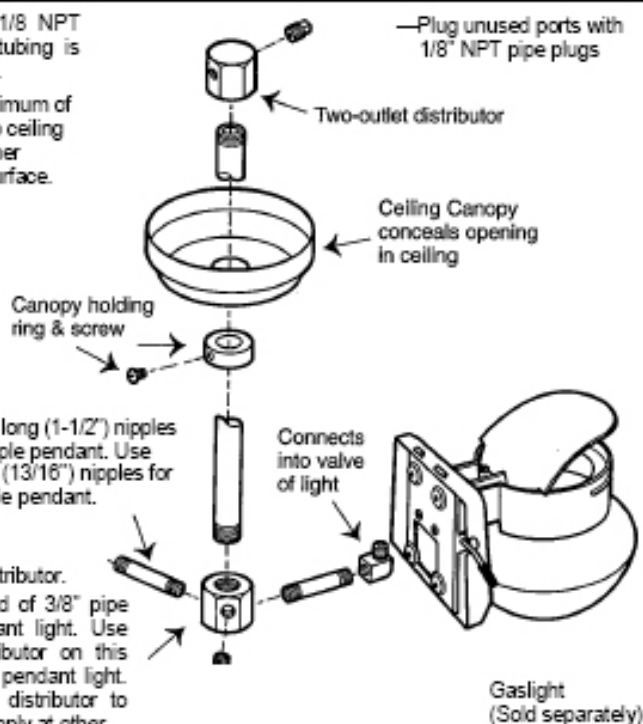


Ideal for center of room.

### HOW TO ASSEMBLE THE OPK "3-IN-1" KIT

Gas Supply (1/8 NPT Female). 3/8 tubing is recommended.

Maintain a minimum of 4" clearance to ceiling wall, or any other combustible surface.



Three-outlet distributor. Use on this end of 3/8" pipe for triple pendant light. Use two-outlet distributor on this end for double pendant light. Use remaining distributor to connect gas supply at other end of pipe. Use 1/8" NPT pipe plugs to plug unused ports.

Gaslight  
(Sold separately)

Humphrey Gas Products Inc., as Manufacturer, warrants its indoor gaslight to the ORIGINAL PURCHASER only and only to the extent and conditions below:

1. For a period of the earlier of thirty (30) days after purchase or one (1) year after date of manufacture (date is metal stamped on Wall Plate), at Manufacturer's option, will repair or replace any parts EXCEPT glass parts, gaskets, or mantles found under normal use to be defective in factory materials or workmanship.

2. This warranty will apply and the repair or replacement will be made without charge, only if:

- The unit is used in an unaltered form and assembly and only indoors and only for appropriate illumination purposes.
- The unit is used with propane gas (Model 9 or 9T) or butane gas (Model 9B or 9BT) only in a well-ventilated area.
- The unit shall not have been installed or serviced by anyone other than by qualified gas service personnel.
- The unit shall have been installed, operated and maintained in accordance with the instructions and purchaser shall have read and heeded the warnings regarding use.
- The unit shall be shipped (less globe) to Humphrey Gas Products at the address below, freight prepaid, accompanied by a letter stating service or repairs desired. Be sure to give full information, including date and place of purchase, full name and address.

3. Manufacturer reserves the right to, and at its option may, refund the purchase price in full satisfaction of any warranty obligations hereunder.

4. Manufacturer shall not be liable for incidental or consequential damages and in all events its liability hereunder shall not exceed the purchase price of the unit.

5. MANUFACTURER DISCLAIMS ANY OTHER WARRANTY AND THIS WARRANTY IS EXPRESSLY GIVEN IN LIEU OF ALL OTHER WARRANTIES EXPRESS OR IMPLIED AND INCLUDING BUT NOT LIMITED TO THAT OF MERCHANTABILITY, ANY WARRANTY WHICH MAY BE IMPLIED BY LAW SHALL BE LIMITED IN TIME TO THE DURATION OF THIS WRITTEN WARRANTY.

6. Manufacturer neither authorizes nor assumes responsibility for any other affirmation of fact, description or representation with respect to its products. Manufacturer neither assumes nor authorizes any person to assume any obligation or liability with regard to its products except as expressly set forth herein.

Note: Some states do not allow limitations on how long an implied warranty lasts or the exclusion or limitation of incidental or consequential damages, so the above limitations or exclusions may not apply to you. This warranty gives you specific legal rights which may vary from state to state.

# Humphrey

Manufactured by

Humphrey Gas Products.

24050 Commerce Park • Beachwood, Ohio 44122 • (216) 360-9800

[www.humphreygasproducts.com](http://www.humphreygasproducts.com)

Made in U.S.A.

**Location of Indoor Gaslight**

Always mount gaslight on an open wall or from ceiling with pendant kit. Never mount gaslight in a boxed-in or recessed area.

Wall Bracket Assembly (C) must be mounted so that Heat Deflector (L) is a minimum of four inches from a combustible surface, and outside of Globe (J) is a minimum of three inches from a combustible surface to either side or in front. Mounting gaslights too close to a door may subject delicate mantles to vibrations and could damage the mantle.

**Assembly**

First, remove all packaging materials from gaslight.

1. Remove Wall Bracket Assembly (C) and visually identify Valve Assembly (D) and Nozzle (N). From center of Nozzle, measure a minimum of seven inches below an overhead combustible surface, and a minimum of ten inches from a combustible surface at the front. These dimensions will provide the minimum clearance to combustible surfaces for the Heat Deflector and Globe. **DO NOT TOUCH, DISTURB OR DAMAGE HOLE IN NOZZLE**, even oil from hands can interfere with proper gas flow.

If gas supply is to be connected through bottom of Valve Cover (G) remove Knockout tab (twist out using pliers) in valve cover before proceeding.

2. Connect internally tinned copper tubing to Gas Inlet (B) using proper fitting (See "Fittings" page 4). It is easier to connect the tubing before fastening Wall Bracket Assembly to wall (also Wall Bracket Assembly is less likely to be bent). Valve Assembly (D) must be straight on the Wall Bracket Assembly. Nozzle (N) must aim into the center of the Bunsen (S) for proper air and gas mixture.

3. Fasten Wall Bracket Assembly to wall using four mounting screws (A) supplied. **CAUTION: DO NOT OVER-TIGHTEN SCREWS.** The four Bosses (R) on the Wall Bracket Assembly must not be imbedded in the wall because air must circulate behind the Wall Bracket Assembly to prevent scorching.

4. Attach Valve Cover Assembly (G) to Wall Bracket Assembly by engaging Slots (Q) with Wall Bracket Assembly Tabs (P).

5. Carefully swing down the Valve Cover Assembly so that the slots in the bottom of valve cover engage Lock Screws (F). Tighten Lock Screws.

6. Check the following dimensions:

Minimum of 4 inch clearance from top of Heat Deflector (L) to ceiling.  
 Minimum of 3 inch clearance from outer edge of Globe to both sides and front.  
 Ensure 1-1/4 inch dimension between Heat Deflector and Globe Holder (M).

7. Loosen Globe Lock Screw (K), and remove Globe. Be sure that all packaging material has been removed. Attach mantle

8. Attach Globe after installing mantle but before burn-off (See "Mantle Installation and Lighting Instructions") by engaging Tabs (H) and inserting Globe so that Globe Lock Screw can be tightened into the neck of the Globe. Do not over-tighten.

Replacement parts and accessories are available from your local gas dealer or from Humphrey Gas Products.

The following matters should be dealt with as frequently as necessary in your particular case. If your gaslight has been out of use for a period of time, examine it before lighting it.

Keep area clear and free from combustible materials, including gasoline and other flammable vapors and liquids. Flow of combustion air and ventilation air must not be obstructed.

Use propane gas only for models 9 and 9T. Propane gas must be to this rating: 2500 to 2530 B.T.U. per cubic foot. Humphrey propane gas nozzles are drilled to this rating only. They will not function properly if used otherwise. See "Gaslight Warning Tag."

Use butane gas only for Models 9B and 9BT. Butane gas must be used to this rating: 3175 to 3200 B.T.U. per cubic foot. Humphrey butane gas nozzles are drilled to this rating only. They will not function properly if used otherwise. See "Gaslight Warning Tag".

**Natural gas.** Humphrey gaslights can be used with natural gas, but only as follows: Natural gas must be to this rating: 1000 to 1100 B.T.U. per cubic foot (4 inches of water column / 2.18 oz. of mercury). Do not use propane or butane gas nozzles. Use Humphrey Nozzle, #L9-51A.

**Propane or butane gas supply tank and regulator.** Gas supply tank must not be overfilled. Regulator must be adjusted to operate at a pressure of 11 inches of water column (27.9 cm)(6 oz. of mercury). This same gas pressure must be maintained at the nozzle of the gaslight. Higher or lower pressures will cause the gaslight to malfunction.

**Copper gas tubing.** Copper gas tubing must be internally tinned to meet National Gas Code Standards unless otherwise directed by local codes.

**Nozzle.** All gaslights are equipped with standard propane nozzles. To use gaslights at elevations of 4500 feet or more above sea level, order High Altitude Nozzle, #L9-52A for propane gas, or #L9-61A for butane gas.

**Note:** Never touch drilled hole in nozzle as it is extremely delicate. Use compressed air to clean the nozzle. Pins, wire, even oil from hands may disturb proper gas flow. Replace nozzle if in question.

Both Series 9 and 9T are ready to use with PROPANE ONLY, at altitudes under 4,500 ft. The following gas nozzles are available for these other applications:

FUEL TYPE	GAS NOZZLE
BUTANE	L9-60A
PROPANE (High Altitude)	L9-52A
BUTANE (High Altitude)	L9-61A

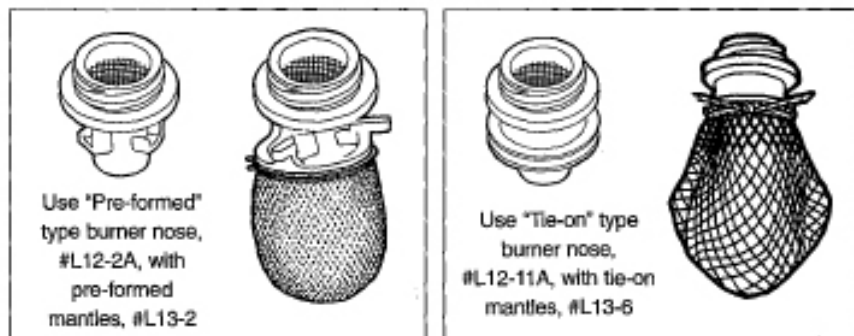
**Valve Assembly.** The valve assembly must be straight on the wall bracket. Bracket can become cocked or bent when tightening copper tubing, flare nut, etc., causing nozzle to be aimed crooked. Gas flow through the nozzle must be aimed straight down the center of the bunsen.

When gaslight is operating properly, gas consumption is 2000 B.T.U. per hour. One "pound" of propane or butane gas produces approximately 12 hours of light.

Permanent screws that attach valve assembly to wallplate should never be loosened or removed. Removing valve assembly from wallplate will void warranty.

## RECOMMENDED MAINTENANCE CONTINUED

**Mantles.** Use Humphrey mantles which are designed for use with propane and butane gas only. Never use broken mantles. Inspect for carbon deposits each time gaslight is used. Clean or replace defective mantles immediately. Use proper ceramic burner nose and mantle combination. (Example: "Tie-on" type burner nose, #L12-11 A, with tie-on mantles, #L13-6. Or "Pre formed" type burner nose, #L12-2A, with pre-formed mantles, #L13-2.) Also see "Mantle Installation and Lighting Instructions."



**Burner Nose Screen.** Screen must be in threaded end of burner nose. Gaslight will not function properly if screen is missing.

**Seal.** Seal is placed on threaded end of burner nose. Seal and burner nose should be screwed securely into bunsen. The seal must be replaced anytime the burner nose is removed after the lamp has been used.

**Bunsen.** Flow of combustion air and ventilation air must not be obstructed. To ensure proper airflow and gas mixture, the inside of the bunsen must be clean and free of any material that may potentially accumulate, such as spider webs, insects, etc. Make a periodic visual check of the bunsen. The bunsen can be cleaned by drawing a clean, dry cloth through it. It can also be cleaned by blowing it out with compressed air. Never attach a mantle directly to the bunsen.

## BUNSEN CLEANING INSTRUCTIONS

1. Remove burner nose.
2. Pull a clean dry cloth through bunsen to clean out foreign material.
3. Replace seal. Reassemble burner nose and tighten securely.  
Note: Always replace seal if lamp has been previously lit.



## GASLIGHT LOCATION, MOUNTING, & ASSEMBLY

Read all instructions and Gaslight Warning Tag (attached to light) before installing light.

Make sure that the gas supply is turned OFF at the supply tank and that the gaslight valve handle is in the "OFF" position.

### Plumbing Supplies

The following plumbing supplies are needed for installation. They are available from your local gas dealer.

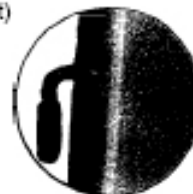
#### Copper Tubing

Internally tinned copper tubing, 3/8-inch outside diameter, is recommended. Copper tubing must be internally tinned to meet National Fuel Gas Code unless otherwise directed by local codes.

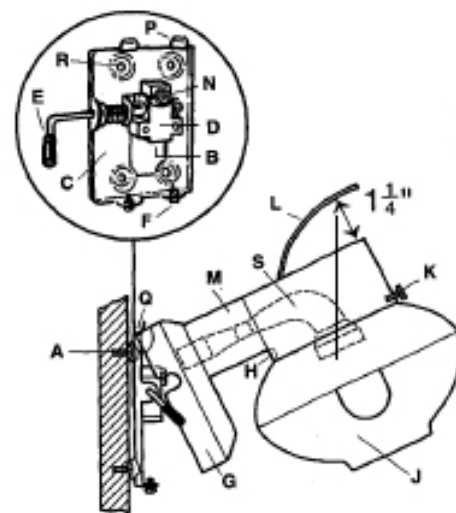
**Fittings** If 3/8-inch copper tubing is used, a 3/8-inch Flare Male Connector x 1/8 NPT Straight Fitting is required, Humphrey #L22-12A (included).

If Gaslight is to be connected from behind (through wall), a 1/8 NPT Street Elbow (Male-Female), Humphrey #L22-23A (included) must be used in addition to the Straight Fitting.

Permanent screws that attach valve assembly to wallplate should never be loosened or removed. Removing valve assembly from wallplate will void warranty.



### Minimum of 4 inches to a combustible ceiling



- A Mounting Screws (4)
- B Gas Inlet (1/8 Female NPT)
- C Wall Bracket Assembly
- D Valve Assembly
- E On/Off Lever
- F Valve Cover Lock Screw (2)
- G Valve Cover
- H Globe Holder Tab (2)
- J Globe
- K Globe Lock Screw
- L Heat Deflector
- M Globe Holder
- N Nozzle
- P Wall Bracket Tab (2)
- o Valve Cover Slot (2)
- R Wall Bracket Boss (4)
- S Bunsen

Minimum of 3 inches to a combustible surface on all sides (except back)