

WE MAKE USE OF
RECYCLED PAPER



6K88 LISTED



 **ARISTON**
THERMO GROUP

Ariston Thermo SpA

Viale Aristide Merloni, 45
60044 Fabriano (AN)
Tel. 0732.6011
Telefax. 0732.602331
<http://www.aristonthermo.com>
E-mail: marketing@aristonthermo.com

Bosch Thermotechnology Corp.

50 Wentworth Ave Londonderry,
NH03053
Tel. 866 330 2729
www.boschhotwater.com

Made in China

 **ARISTON**



Electric Mini Tank Water heaters
Chauffe-eau électriques à miniréservoir
Calentadores de Agua Eléctricos de Minitanque

GL 2.5 S - GL 4 S - GL 4 CA S - GL 6+ S

IMPORTANT SAFETY INSTRUCTIONS

WARNING

When using electrical appliances, safety precautions to reduce the risk of fire, electric shock or injury to persons should be followed, including:

1. **READ ALL INSTRUCTIONS BEFORE USING THIS WATER HEATER.**
2. This water heater must be grounded. Connect only to properly grounded outlet. See "GROUNDING INSTRUCTIONS" found on "INSTALLATION INSTRUCTIONS".
3. Install or locate this water heater only in accordance with the provided installation instructions.
4. Use this water heater only for its intended use as described in this manual.
5. Do not use an extension cord with this water heater. If no outlet is available adjacent to the water heater, contact a qualified electrician to have one properly installed near the heater.
6. As with any appliance, close supervision is necessary when used by children.
7. Do not operate this water heater if it has a damaged cord or plug, if it is not working properly, or if it has been damaged or dropped.
8. This water heater should be serviced only by qualified service personnel. Contact a service person for examination, repair or adjustment.
9. Failure to service the anode rod at least once a year could cause the tank to fail and leak.

Any water heater should be installed in such a manner that if it should leak, the resulting flow of water will not cause damage to the area in which it is installed. National Plumbing codes require a drain pan for any water heater installation. Failure to install one is the sole responsibility of owner and/or installer. Reference UPC 2000 (Uniform Plumbing Code) Section 510 - Protection from Damage or IPC 200 (International Plumbing Code) Section 504- Safety Devices.

SAVE THESE INSTRUCTIONS

Technical data

MODEL		GL 2.5 S	GL 4 S GL 4 CA S	GL 6+ S
Capacity	gallons	2.7	4.0	7.0 (Hor)/5.1 (Vert)
Voltage	VAC	110/120 for each model		
Power at 120 VAC	Watts	1500	1500	1500
Maximum Water pressure	psi	150	150	150
Weight (empty)	Lbs	15.5	17.3	29.5
Amperage	Amps	12.50 for each model		
Phases		1	1	1
Temperature Range	F	65-145		
Recovery rate	gallons/hour	6,8		

WARNING

The installer should review the contents of this manual with the owner upon completion of installation, and the manual should be left with the owner and placed in a location close to the installation.

FIG. 1/1

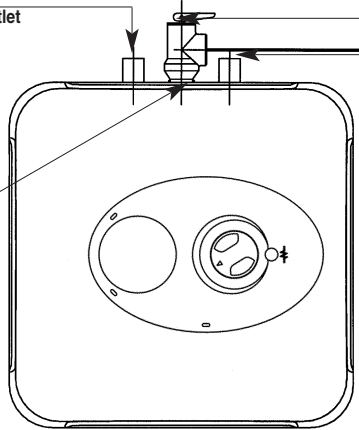
Hot water outlet
1/2 NPT male

Temperature & pressure
relief valve, 3/4 NPT male

Cold water inlet
1/2 NPT male

Temperature &
pressure relief
valve discharge
line to drain

3/4 NPT female
tapping for
relief valve



**GL 2.5 S - GL 4 S
GL 4 CA S**

FIG. 1/2

Temperature & pressure
relief valve, 3/4 NPT male

GL 6+ S Horizontal installation

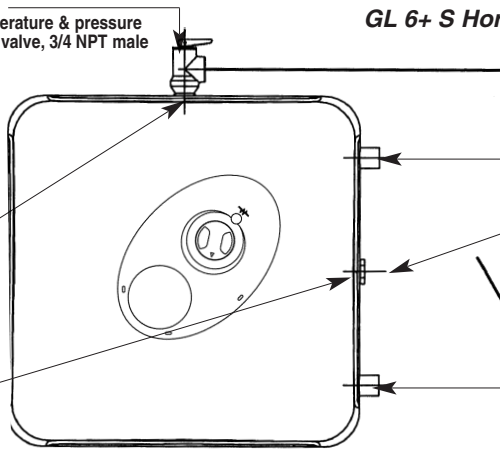
Hot water outlet
3/4 NPT male

3/4 NPT male plug

Temperature &
pressure relief
valve discharge
line to drain

3/4 NPT female
tapping for
relief valve

3/4 NPT female
tapping for tap



**GL 6+ S
Vertical
installation**

Temperature & pressure
relief valve, 3/4 NPT male

Cold water inlet
3/4 NPT male

Temperature &
pressure relief
valve discharge
line to drain

Hot water outlet
3/4 NPT male

3/4 NPT female
tapping for
relief valve

3/4 NPT male

3/4 NPT female
tapping for tap

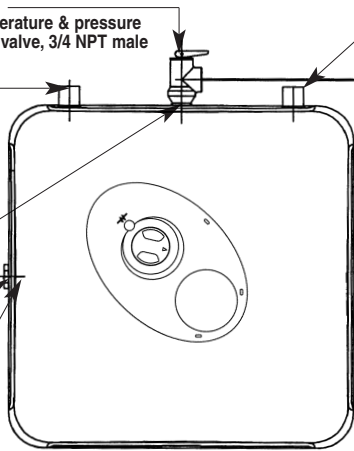


FIG. 2/1

DIMENSIONS FOR GL 2.5 S - GL 4 S - GL 4 CA S

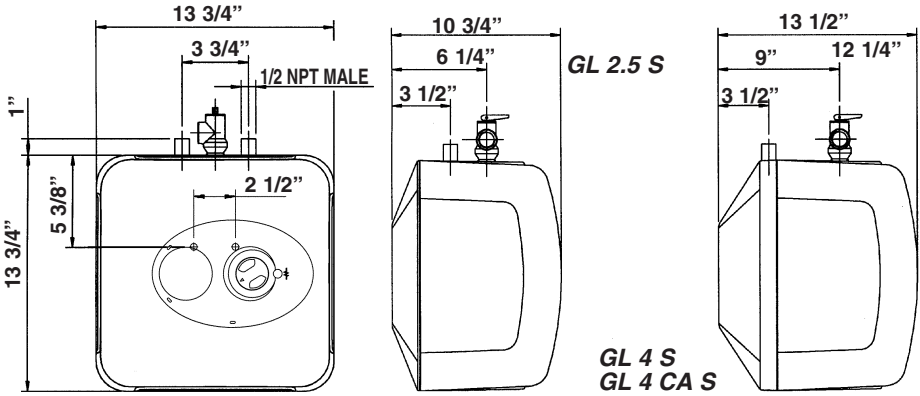


FIG. 2/2

DIMENSIONS FOR GL 6+ S (HORIZONTAL INSTALLATION)

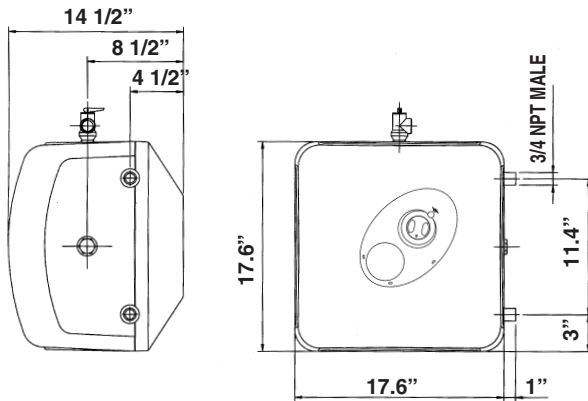
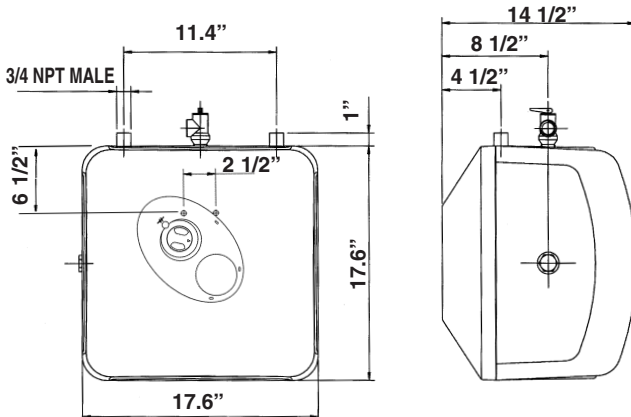


FIG. 2/3

DIMENSIONS FOR GL 6+ S (VERTICAL INSTALLATION)



General remarks

CAUTION

The manufacturer cannot be responsible for the damages caused by improper installation or by failure to follow instructions in this manual. Comply with the installation instructions before completing electric connection.

CAUTION

The GL 4 CA S model is only approved for installations in Canada.

CAUTION

The thermostat has been pre-set at the factory at a temperature:
- Equal or below 51.7°C (125° F) for GL 2.5 S, GL 4 S and GL 6+ S for USA with UL certification (See fig. 2/4).
- Equal to 60°C (140° F) for GL 4 S for Canada with CSA certification. Check local codes to see if the installation of a tempering valve is required (See fig. 2/5).

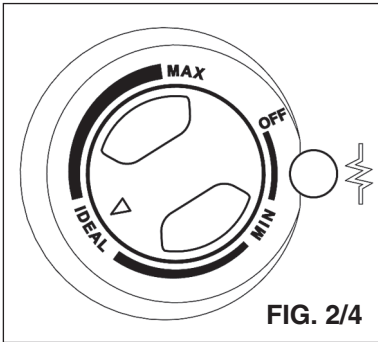


FIG. 2/4

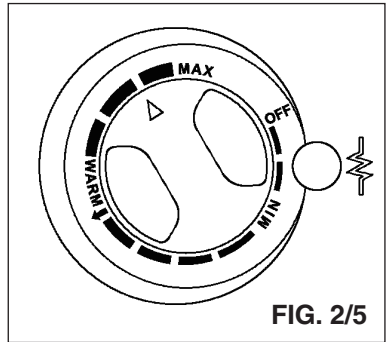


FIG. 2/5

CAUTION

Hydrogen gas can be produced in a hot water system served by this heater that has not been used for a long period of time (generally 2 weeks or more). Hydrogen gas is extremely flammable. To reduce the risk of injury under these conditions, it is recommended that the hot water faucet be opened for several minutes at the kitchen sink before using any electrical appliance connected to the hot water system. If hydrogen gas is present, there will probably be an unusual sound such as air escaping through the pipe as the water begins to flow. There should be no smoking or open flame near the faucet at the time.

CAUTION

Any water heater should be installed in such a manner that if it should leak, the resulting flow of water will not cause damage to the area in which it is installed. National Plumbing codes require a drain pan for any water heater installation. Failure to install one is the sole responsibility of owner and/or installer. Reference UPC 2000 (Uniform Plumbing Code) Section 510- Protection from Damage or IPC 2000 (International Plumbing Code) Section 504- Safety Devices.

Installation instructions

MODEL GL 2.5 S - GL 4 S - GL 4 CA S - GL 6+ S

The GL 2.5 S, GL 4 S and GL 4 CA S water heaters can be installed under the sink.

Wall mounting

Fasten the supplied mounting bracket to the wall. Use screws that are suitable for the wall material and the weight of the heater. Hang the water heater on the bracket. Tug down wards on the heater to ensure that both "fingers" of the bracket are seated in the mounting slots.

Floor Mounting

Heater can sit on floor.

Pipe connections

Connect the cold water inlet pipe to the inlet tapping (marked with a blue ring) and the hot water outlet pipe to the outlet tapping (marked with a red ring).

The model GL 6+ S can be piped horizontally from the side or vertically from the top. If you wish to install the unit horizontally, with the piping connections on the right side, you will have to be certain the tap between the two water tappings is plugged, the supplied Temperature and Pressure Relief Valve will need to be installed on top. See location of T&P relief valve in Fig. 2/2.

If you wish to install the unit vertically, with the piping connections on top, you will have to be certain the tap on the side is plugged, the supplied Temperature and Pressure Relief Valve will need to be installed on top. See location of T&P relief valve in Fig. 2/3.

CAUTION

To reduce the risk of excessive pressures and temperatures in this water heater, install the supplied temperature and pressure protective equipment required by local codes but not less than a combination temperature and pressure relief valve certified by a nationally recognized testing laboratory that maintains periodic inspection of production of listed equipment or materials, as meeting the requirements for Relief Valves and Automatic Gas Shut-off Devices for Hot Water Supply Systems, ANSI Z21.22. The supplied temperature and pressure relief valve is marked with a maximum set pressure (150 psi) that does not exceed the marked maximum working pressure of the water heater. Install the valve in the opening provided and marked for this purpose in the water heater, and orient it or provide tubing so that any discharge from the valve will exit within 6 inches above, or at any distance below, the structural floor, and cannot contact any live electrical part. The discharge opening must not be blocked or reduced in size under any circumstances.

National Plumbing codes require a drain pan for any water heater installation. Failure to install one is the sole responsibility of owner and/or installer. Reference UPC 2000 (Uniform Plumbing Code) Section 510- Protection from Damage or IPC 2000 (International Plumbing Code) Section 504- Safety Devices.

Closed system thermal expansion (for all models)

Periodic discharge of the temperature and pressure relief valve or failure of the element gasket may be due to thermal expansion in a closed water supply system. The water utility supply meter may contain a check valve, backflow preventer or water pressure reducing valve which will create a closed water system. During the heating cycle of the water heater, the water expands causing pressure inside the water heater to increase. The temperature and pressure relief valve may discharge hot water under these conditions which results in a loss of energy and a build-up of lime on the relief valve seat.

To prevent this from happening, there are two recommendations:

1. Install a diaphragm-type expansion tank that is suitable for potable water on the cold water supply line. The expansion tank must have a minimum capacity of 1.5 U.S. gallons for every 50 gallons of stored water.
2. Install a 125 PSI pressure relief valve in the cold water supply line. Make sure the discharge of this valve is directed to an open drain and protected from freezing. Contact the local water supplier or plumbing inspector for information on how to control this situation. Do not plug the temperature and pressure relief valve.

Instructions for use

Starting and testing

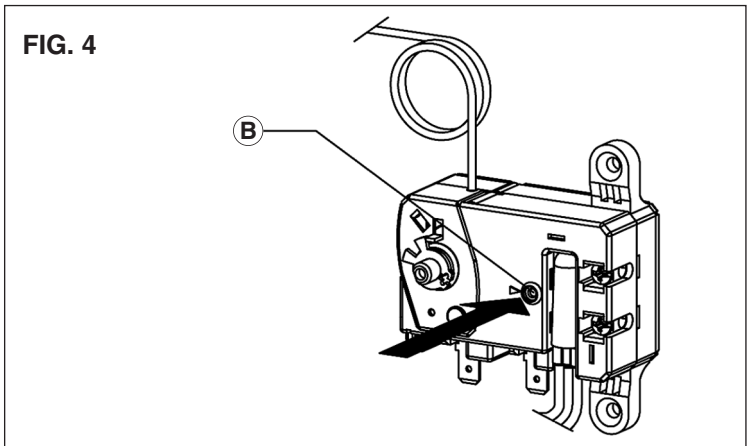
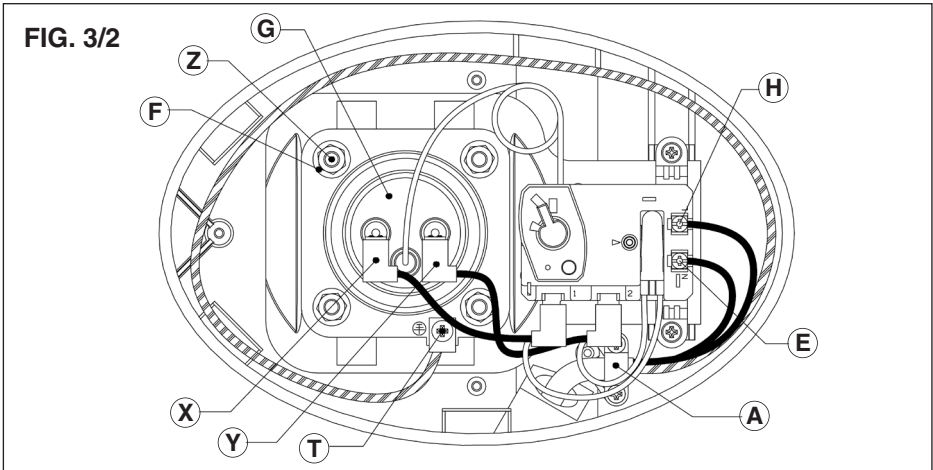
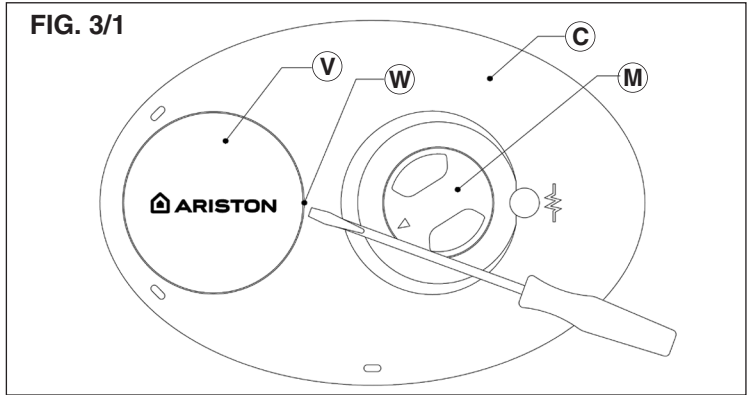
Filling the boiler with the network water is the last thing to do, before connecting the tension. It is carried out by opening the tap of the central domestic system and hot-water system till all the air from the boiler is out. Check visually for any leaks.

For models which are not fitted with a switch, provide electrical power by turning the control knob in a clockwise direction.

The light will come back on when the water temperature drops below the thermostat setting.

Temperature Setting

The regulation of the temperature is carried on turning the handle **M** fig. 3/1 stationed on the front of the cap: clock wise to increase temperature, anticlock wise to decrease it.



Maintenance instructions

Note: Do not attempt to repair this water heater yourself. Call a service person for assistance. Always turn off the power supply to the heater prior to servicing or draining the heater.

Periodic maintenance

Removing the cover

Note: For most of these operations, the water will have to be drained from the heater. For all of these operations the cord should be disconnected and the front cover removed.

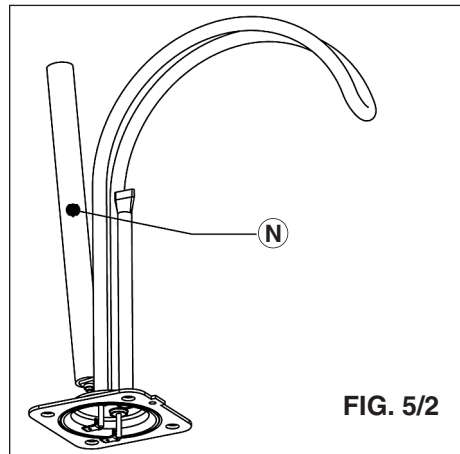
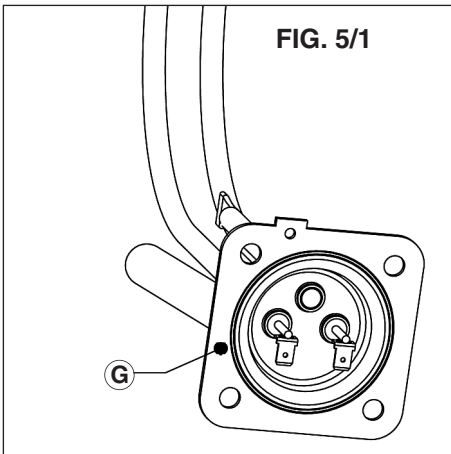
1. Pry off the round cover plate (V Fig. 3/1) from its right hand edge (W Fig. 3/1) with a small flat-head screwdriver.
2. Remove the Phillips screw revealed beneath the round cover plate.
3. The cover (C Fig. 3/1) can now be removed by pulling out its left-hand edge. When reassembling, work in the opposite way being careful to insert the tongue of the cover into the slot.

Draining the Heater

- 1) If the heater has been installed with flexible hoses, shut off the power supply and turn the heater upside down over a sink to drain the water out of it, OR
- 2) If the heater has been installed with rigid piping, siphon the water out through any (lower) service valve on the (inlet side). Keep a hot water faucet open while siphoning the water out, OR
- 3) If the heater has been installed with flexible hoses, it can also be emptied by siphoning through the inlet side hose. Keep a hot water faucet open while siphoning.

Removing the heating element

1. Turn off power supply and drain the heater (see previous section).
2. Remove the front cover plate, disconnect terminals X, Y and T (fig. 3/2).
3. Unscrew the 4 heating element retaining nuts F (fig. 3/2).
4. Remove the element. G (fig. 5/1).



Descaling the heating element

Scale deposits can affect the heating capability of the element. Heavy scale can even cause the element to burn out. The element can be descaled either chemically or manually:

- A) Soak the element in white vinegar or other descaling solution. Once descaled, rinse well with fresh water, to which you should add some baking soda, OR
- B) Once the element has dried up, use a soft brush (non metallic to prevent damaging the stainless steel sheath) on element. Brush the dried mineral off. Reinstall the element with gasket and make the wire connections.
- C) Replace anode rod (N Fig. 5/2) if it is noticeably deteriorated or considerably shorter than seen in figure 5/2.

WARNING: make sure the tank has been refilled with water before restoring power.

REPLACEMENT OF PARTS

Changing the anode rod

The anode rod (N fig. 5/2) helps protect the tank against corrosion. Depending on the water condition, the magnesium anode rod may need to be changed every year or so. Galvanic and electrolytic corrosion can destroy a tank if the anode rod is "spent". Rusty water is usually an indication of a "spent" anode rod. If rusty water is present, examine anode rod immediately. Rapid degradation of the anode rod (less than 1 year) may indicate the presence of galvanic corrosion due to "stray" direct current. In this case, it may be necessary to add a "grounding strap" from the Ariston tank to the copper plumbing.

1. Turn off the power supply and drain the heater (see Draining the Heater).
2. Remove heating element (see previous section).
3. Remove and replace the anode rod N Fig. 5/2.
4. **Refill tank with water before restoring power.**

Changing the heating element

1. Turn off power supply and drain the heater (see Draining the Heater).
2. Remove the heating element (see section on **Removing the Heating Element**).
3. Install new element with gasket, making sure the gasket and element are positioned correctly. Tighten the retaining nuts and make the wire connections.
4. **Refill tank with water before restoring power.**

Changing the thermostat

1. Turn off power supply.
2. Disconnect the 2 wire connectors on thermostat.
3. Loosen the two brass screws at right side of thermostat and pull wires out.
4. Unscrew and remove the two phillips screws holding the thermostat onto the tank.
5. Install new thermostat and re-attach wiring and screws.

Resetting High Limit Switch

Occasionally, the high temperature limit shut off device may trip the reset. This occurs when water temperature exceeds 190° F. The shut off device may also trigger from a power outage or electrical storm.

To reach the thermostat:

1. Disconnect power cord and remove the front cover. Firmly press reset button (B Fig. 4) with the tip of a ball point pen or similar object. A click indicates the reset was tripped. Reconnect power.
2. **IMPORTANT:** Check the operation of the thermostat, turn temperature dial from high to low, if the red light does not go off on low setting, turn off power supply and call a service person to replace the thermostat.
3. If the system works, place dial setting to desired setting. Note: a lower setting is more economical and reduces the risk of scalding. Replace cover plate.

CAUTION: Call a technician if the high limit needs to be reset frequently.

Troubleshooting

Water does not get hot

1. Make sure the power supply is on and working.
2. If light does not come on, check that the reset button is pushed in; follow steps from previous section.
3. If the indicator light works properly but temperature does not get hot a tap, test for a plumbing crossover; shut off cold supply to heater and open hot water tap. There should be no water flowing. Any continued flow indicates a crossover which will effect the temperature and will need to be corrected.
4. Call a qualified service technician to test the resistance of the heating element (8-10 ohms). Heating element should be replaced if readings are outside these values."

Light not on

1. If the light does not come on, but water gets hot, check for faulty bulb.
2. Check reset button; follow steps from previous section.

Brown water

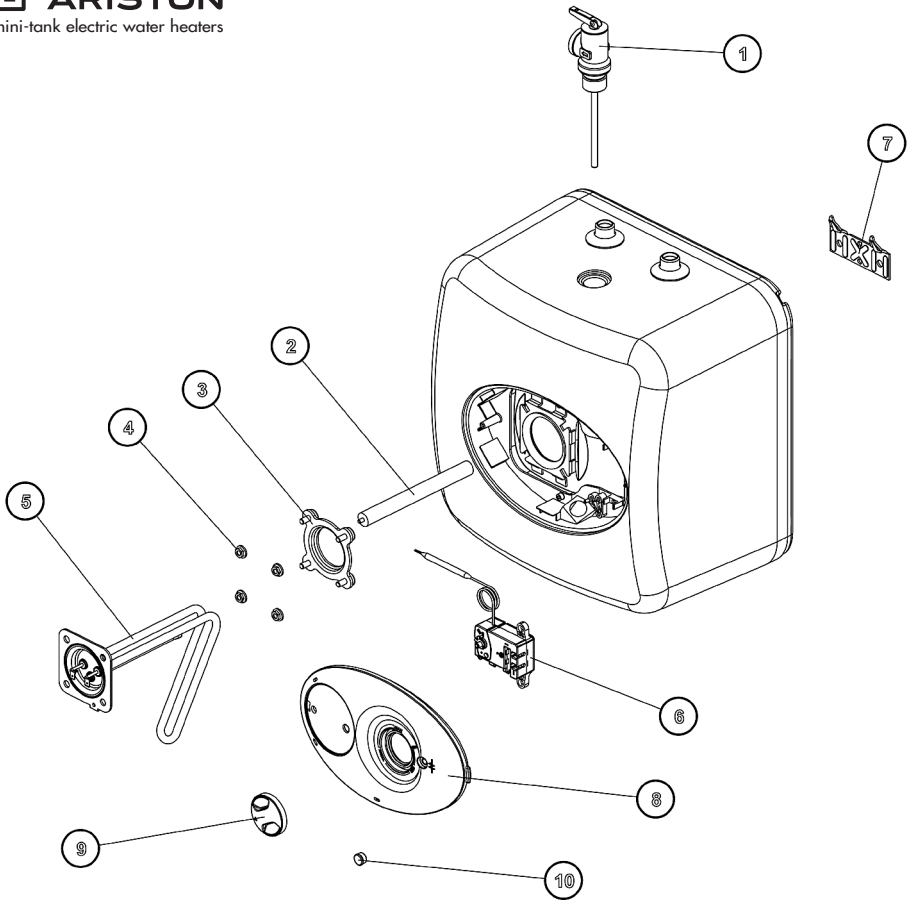
1. Brown or rusty water indicates a "spent" anode rod. Replace anode rod.

Odor in water

1. Smelly water could be due to an unusual reaction between local water and the heater's anode rod. Check anode rod (see section on changing the anode rod).

Leaking

1. Check water fittings and T & P fitting on top of tank.
2. Remove front cover and inspect heating element gasket.
3. If tank is leaking call Bosch Water Heating for warranty claim if still within warranty period.



DESCRIPTION	REF.	PART	CODE	DESCRIPTION	REF.
GL 2.5 S	A	1	100XL	VALVE (T&P 3/4")	ABC
GL 4 S, GL 4 CA S	B	2	570241	ANODE (MAGNESIUM)	C
GL 6+ S	C	2	574305	ANODE (MAGNESIUM)	AB
		3	994147	GASKET WITH 4 BOLTS	ABC
		4	994140	LOCK NUT M6	ABC
		5		HEATING ELEMENT (1500/120)	AB
		5		HEATING ELEMENT (1500/120)	C
		6		WIRED THERMOSTAT	AB
		6		WIRED THERMOSTAT	C
		7	570341	HEATER WALL HANGING BRACKET	C
		8		PLASTIC COVER	
		9		KNOB	
		10		LAMP COVER	

**ARISTON INTERIOR
COMPONENTS DIAGRAM
GL 2.5 S, 4 S, 4 CA S, 6+ S**

ARISTON GL • LIMITED 6 YEARS WARRANTY

COVERAGE

ARISTON, THROUGH ITS U.S. DISTRIBUTOR Bosch Thermotechnology Corp., (hereinafter Bosch) guarantees this water heater to the Owner (hereinafter "Owner") of the water heater at the original installation location against defects in material and workmanship for the periods specified below.

WARRANTY PERIOD

1. **The inner Tank** - If the inner tank leaks within six (6) years from the date of original installation of the water heater, because of a defect in material or workmanship, Bosch will furnish to such Owner a new heater of the then prevailing comparable model.

2. **Any Component Part Other than The Original Inner Tank** - If any component part (other than the inner tank) proven to be defective in material or workmanship within one (1) year from the date of original installation of the water heater, Bosch will furnish the Owner with a replacement of the defective part(s).

3. **Verification of Date of Original Installation** - When Owner cannot verify or document the original date of installation, the warranty period begins on the date of manufacture marked on the tag affixed to the water heater.

EXCLUSIONS

1. THIS LIMITED WARRANTY SHALL BE THE EXCLUSIVE WARRANTY MADE BY THE MANUFACTURER AND IS MADE IN LIEU OF ALL OTHER WARRANTIES, EXPRESSED OR IMPLIED (WHETHER WRITTEN OR ORAL), INCLUDING, BUT NOT LIMITED TO, WARRANTIES OF MERCHANTABILITY AND FITNESS FOR A PARTICULAR PURPOSE.

2. The Manufacturer shall not be liable for any incidental, consequential, special or contingent damages or expenses arising, directly or indirectly, from any defect in the water heater or the use of the water heater.

3. The Manufacturer shall not be liable for any water damage arising, directly or indirectly, from any defect in the water heater component part(s) or from its use.

4. Manufacturer shall not be liable under this warranty if:

a) The water heater or any of its component parts has been subject to misuse, alteration, neglect or accident, or

b) The water heater has not been installed in accordance with the applicable local plumbing and/or building code(s) and/or regulation(s), or

c) The water heater has not been installed in accordance with the printed manufacturer's instructions, or

d) The water heater is not continuously supplied with potable water.

5. The OWNER and not the Manufacturer or his representative shall be liable for and shall pay for all field charges for labor or other expenses incurred in the removal and/or repair of the product or any expense incurred by the owner in order to repair the product.

SOME STATES DO NOT ALLOW THE EXCLUSION OR LIMITATION OF INCIDENTAL OR CONSEQUENTIAL DAMAGES, SO THE ABOVE LIMITATION OR EXCLUSION MAY NOT APPLY TO YOU. THIS WARRANTY GIVES YOU SPECIFIC LEGAL RIGHTS AND YOU MAY ALSO HAVE OTHER RIGHTS WHICH MAY VARY FROM STATE TO STATE.

NOTE: A water heater should be installed in such a manner that if it should leak, the resulting flow of water will not cause damage to the area in which it is installed.

HOW THE OWNER CAN SECURE SERVICE OR MAKE A CLAIM

1. Owner should contact the dealer who sold the water heater covered by this warranty or

2. Owner should submit the warranty claim directly to CEC at the address listed below, and they will arrange for the handling of the claim

3. Whenever any inquiry or service request is made, be sure to include the water heater model number, the serial number, date of installation, place of purchase and installer's name.

4. When returning the water heater or component part(s), they must be individually tagged and identified with the Returned Goods Authorization # issued by Bosch and shipped prepaid to Bosch at the address below.

Bosch Thermotechnology Corp.

50 Wentworth Ave Londonderry,
NH03053

www.boschhotwater.com

IMPORTANTES CONSIGNES DE SÉCURITÉ

MISE EN GARDE

Lorsque vous utilisez des électroménagers, il y a des consignes de sécurité visant à réduire les risques d'incendie, de choc électrique ou de blessures corporelles, dont celles qui suivent :

1. **LISEZ ATTENTIVEMENT TOUTES LES DIRECTIVES AVANT D'UTILISER CE CHAUFFE-EAU.**
2. Ce chauffe-eau doit être mis à la terre. Branchez-le uniquement dans une prise mise à la terre correctement. Voir les " Directives de mise à la terre " se trouvant à la section intitulée " DIRECTIVES D'INSTALLATION " .
3. N'installez ce chauffe-eau ou ne choisissez son emplacement que conformément aux directives d'installation fournies.
4. N'utilisez ce chauffe-eau que pour l'usage auquel il est destiné, tel que décrit dans le présent manuel.
5. N'utilisez aucune rallonge avec ce chauffe-eau. S'il n'y a aucune prise libre à proximité du chauffe-eau, adressez-vous à un électricien qualifié pour en faire installer une de façon adéquate.
6. Comme c'est le cas avec tout électroménager, il faut surveiller étroitement les enfants lorsqu'ils utilisent ce chauffe-eau.
7. Ne mettez pas le chauffe-eau en marche s'il ne fonctionne pas bien, s'il est endommagé ou s'il a été échappé par terre.
8. Ce chauffe-eau ne devrait être réparé ou entretenu que par un réparateur accrédité. Adressez-vous à un réparateur si le chauffe-eau doit être examiné, réparé ou réglé.
9. Le défaut d'entretenir ou de remplacer la tige d'anode au moins une fois par année peut entraîner l'endommagement et la fuite du réservoir. Tout chauffe-eau devrait être installé de telle façon qu'en cas de fuite, l'écoulement d'eau en résultant n'endommagera pas l'endroit où il se trouve. Les codes de plomberie exigent l'ajout d'un bac de récupération lors de l'installation d'un chauffe-eau. Le défaut d'installer un tel bac sera imputé au propriétaire et(ou) à l'installateur. Références : UPC 2000 (Code de plomberie normalisé), article 510 – Protection contre les dommages ou IPC 200 (Code de plomberie international), article 504 – Dispositifs de sécurité.

IL FAUT CONSERVER CES DIRECTIVES.

Données techniques

MODÈLE		GL 2.5 S	GL 4 S GL 4 CA S	GL 6+ S
Capacité	litres (gallons)	10.2 (2.7)	15.1 (4.0)	24.5 (7.0) (Hor) 17.8 (5.1) (Vert)
Tension	V c.a.	110/120 pour chaque modèle		
Puissance à 120 V c.a.	Watts	1500	1500	1500
Pression maximale de l'eau	kPa (lb/po ²)	1035 (150)	1035 (150)	1035 (150)
Poids	Kg (lb)	7.0 (15.5)	7.9 (17.3)	13.4 (29.5)
Intensité du courant	A	12,50 pour chaque modèle		
Phases		1	1	1
Gamme de température	F	65-145		
Taux de rétablissement	gallons/heure	6,8		

MISE EN GARDE

L'installateur devrait passer en revue le contenu de ce manuel avec le propriétaire une fois l'installation terminée et lui laisser le manuel, qui devrait être placé à proximité du lieu de l'installation.

FIG. 1/1

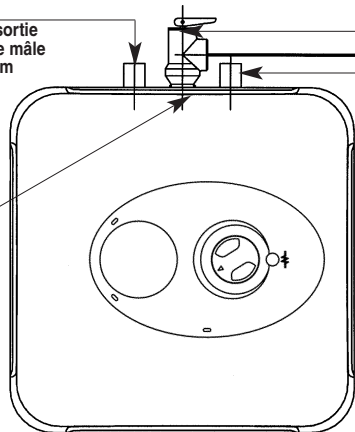
Raccord de sortie
d'eau chaude mâle
NPT de 13 mm
(1/2 po)

Raccord mâle NPT de 19
mm (3/4 de po) de la
soupape de décharge et
de sécurité thermique

Raccord d'admission d'eau
froide mâle NPT de 13 mm
(1/2 po)

Conduite de la
soupape de
décharge et de
sécurité thermique
vers le drain

Prise femelle
NPT de 19 mm
(3/4 de po) pour
la soupape de
décharge



**GL 2.5 S - GL 4 S
GL 4 CA S**

FIG. 1/2

Raccord mâle NPT de 19
mm (3/4 de po) de la
soupape de décharge et
de sécurité thermique

GL 6+ S installation horizontale

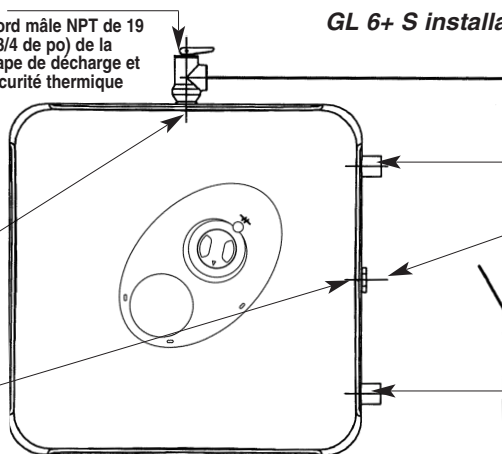
Raccord de sortie
d'eau chaude mâle
NPT de 19 mm
(3/4 po)

Bouchon mâle NPT de
19 mm (3/4 de po)

Conduite de la
soupape de
décharge et de
sécurité thermique
vers le drain

Prise femelle
NPT de 19 mm
(3/4 de po) pour
la soupape de
décharge

Prise femelle
NPT de 19 mm
(3/4 de po)



Raccord
d'admission d'eau
froide mâle NPT de
19 mm (3/4 po)

FIG. 1/3

Raccord mâle NPT de 19 mm (3/4
de po) de la soupape de décharge
et de sécurité thermique

Raccord d'admission
d'eau froide mâle NPT
de 19 mm (3/4 po)

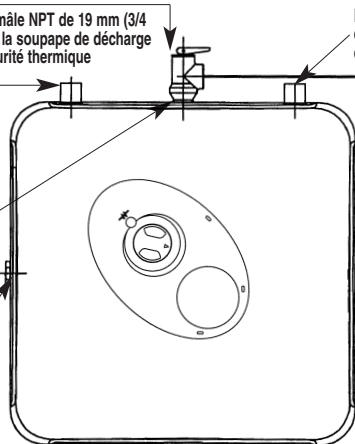
**GL 6+ S
installation
verticale**

Raccord de sortie
d'eau chaude mâle
NPT de 19 mm
(3/4 po)

Prise femelle NPT de
19 mm (3/4 de po)
pour la soupape de
décharge

Bouchon mâle NPT
de 19 mm
(3/4 de po)

Prise femelle NPT de
19 mm (3/4 de po)



Conduite de la
soupape de
décharge et de
sécurité
thermique vers
le drain

FIG. 2/1 DIMENSIONS DES MODÈLES GL2.5 S - GL 4 S - GL 4 CA S

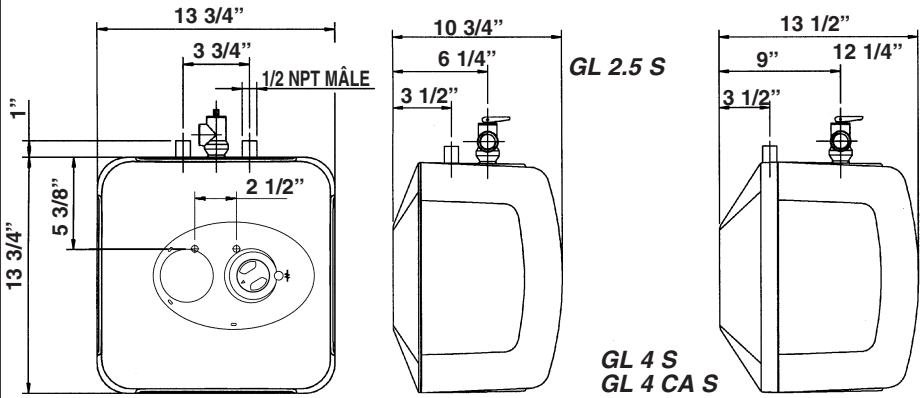


FIG. 2/2 DIMENSIONS DU MODÈLE GL 6+ S (INSTALLATION HORIZONTALE)

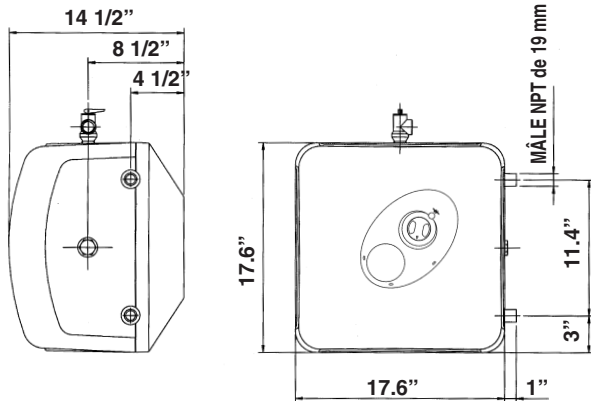
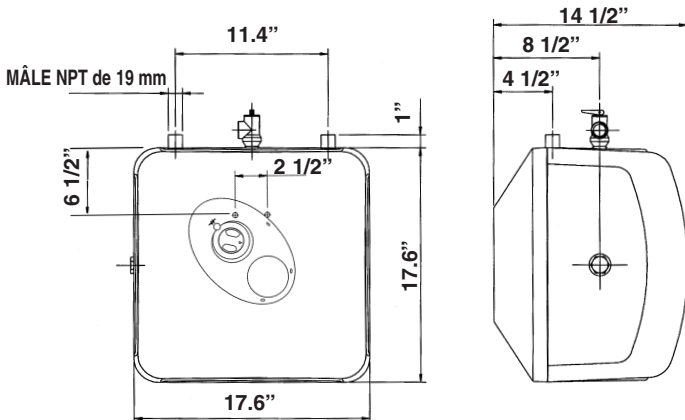


FIG. 2/3 DIMENSIONS DU MODÈLE GL 6+ S (INSTALLATION VERTICALE)



Remarques générales

MISE EN GARDE

Le fabricant décline toute responsabilité à l'égard des dommages causés par une installation inadéquate ou par le défaut de respecter les directives contenues dans le présent manuel. Il importe de respecter les directives d'installation avant de procéder à la connexion électrique.

MISE EN GARDE

Le modèle de GL 4 CA S est seulement approuvé pour des installations au Canada.

MISE EN GARDE

Le thermostat a été pré-réglé en usine à une température:

- Egale ou inférieure à 51,7°C (125°F) pour les modèles GL 2.5 S, GL 4 S et GL 6+ S pour USA avec certification UL (Voir fig. 2/4).
- Egale à 60°C (140°F) pour le modèle GL 4 CAS S pour Canada avec certification CSA. Vérifiez les codes locaux pour voir si l'installation d'une valve de gâchage est exigée (Voir fig. 2/5).

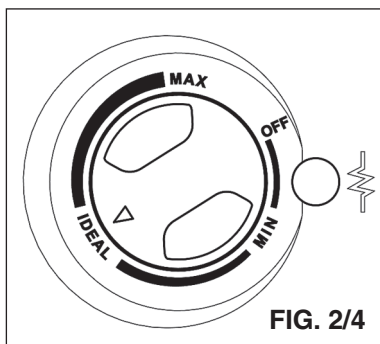


FIG. 2/4

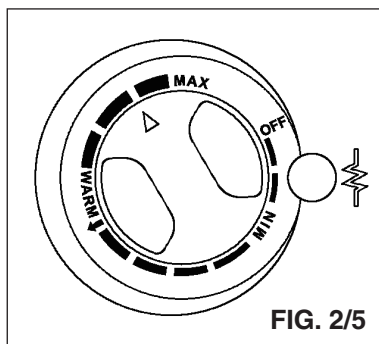


FIG. 2/5

MISE EN GARDE

De l'hydrogène peut être produit dans un système d'eau chaude desservi par ce chauffe-eau s'il n'a pas été utilisé pendant une période prolongée (habituellement deux semaines ou plus). L'hydrogène est un gaz très inflammable. Pour réduire les risques de blessures dans de telles circonstances, on recommande d'ouvrir le robinet d'eau chaude pendant plusieurs minutes avant d'utiliser quelque électroménager que ce soit, qui est relié au système d'eau chaude. S'il y a présence d'hydrogène, il y aura probablement un bruit inusité comme un bruit d'air s'échappant par le tuyau lorsque l'eau commencera à couler. Il ne faut pas fumer près du robinet à ce moment, ni approcher une flamme nue.

MISE EN GARDE

Tout chauffe-eau devrait être installé de telle façon qu'en cas de fuite, l'écoulement d'eau en résultant n'endommagera pas l'endroit où il se trouve. Les codes de plomberie exigent l'ajout d'un bac de récupération lors de l'installation d'un chauffe-eau. Le défaut d'installer un tel bac sera imputé au propriétaire et(ou) à l'installateur. Références : UPC 2000 (Code de plomberie normalisé), article 510 – Protection contre les dommages ou IPC 200 (Code de plomberie international), article 504 – Dispositifs de sécurité.

Directives d'installation

MODÈLES GL 2.5 S - GL 4 S - GL 4 CA S - GL 6+ S

Les chauffe-eau GL 2.5 S - GL 4 S - GL 4 CA S peuvent être installés sous l'évier.

Installation murale

Fixez le support de montage fourni au mur. Utilisez des vis convenant au matériau du mur et au poids du chauffe-eau. Suspendez le chauffe-eau au support. Tirez le chauffe-eau vers le bas pour vous assurer que les deux " langues " du support sont bien insérées dans les fentes de fixation.

Installation au sol

Le chauffe-eau peut reposer sur le plancher.

Raccordement des conduites

Raccordez la conduite d'alimentation d'eau froide au mamelon d'admission (indiqué par un anneau bleu), et la conduite de sortie d'eau chaude au mamelon de sortie (indiqué par un anneau rouge).

Les conduites du modèle GL 6+ S peuvent être raccordées horizontalement à partir du côté ou verticalement à partir du dessus. Si vous désirez installer l'appareil à l'horizontale, avec les raccords de tuyauterie du côté droit, vous devrez vous assurer que le robinet se trouvant entre les deux conduites d'eau est couché, et il faudra installer la soupape de décharge et de sécurité thermique fournie sur le dessus. Voir son emplacement à la fig. 2/2.

Si vous désirez installer l'appareil à la verticale, avec les raccords de tuyauterie sur le dessus, vous devrez vous assurer que le robinet se trouvant sur le côté est bouché, et il faudra installer la soupape de décharge et de sécurité thermique fournie sur le dessus. Voir son emplacement à la fig. 2/3.

MISE EN GARDE

Pour réduire les risques de pressions et de températures excessives dans ce chauffe-eau, installez le dispositif de protection contre les températures et les pressions excessives qui est fourni, tel qu'exigé par les codes locaux. Ce dispositif doit être, à tout le moins, une combinaison de soupape de décharge et de sécurité thermique certifiée par un laboratoire d'essais reconnu à l'échelle nationale, qui inspecte périodiquement la production d'équipement et de dispositifs homologués pour s'assurer qu'ils respectent les exigences de la norme ANSI Z21.22 visant les soupapes de sécurité et les dispositifs d'arrêt automatique du gaz pour les systèmes d'alimentation en eau chaude. La soupape de décharge et de sécurité thermique fournie indique une pression maximale préréglée (1 035 KPa ou 150 lb/po²) qui ne dépasse pas la pression de fonctionnement maximale indiquée du chauffe-eau. Installez la soupape dans l'ouverture prévue et indiquée à cette fin dans le chauffe-eau et orientez-la ou branchez-y une tubulure de façon à ce que toute décharge sortant de la soupape soit évacuée à au plus 15 cm (6 po) au-dessus ou à toute distance en dessous du plancher porteur et ne puisse pas entrer en contact avec un appareil électrique sous tension. L'ouverture de décharge doit être bloquée, ou sa taille doit être réduite dans tous les cas.

Les codes de plomberie exigent l'ajout d'un bac de récupération lors de l'installation d'un chauffe-eau. Le défaut d'installer un tel bac sera imputé au propriétaire et(ou) à l'installateur. Références : UPC 2000 (Code de plomberie normalisé), article 510 – Protection contre les dommages ou IPC 200 (Code de plomberie international), article 504 – Dispositifs de sécurité.

Dilatation thermique dans un système fermé (pour tous les modèles)

Il se peut qu'un écoulement de la soupape de décharge et de sécurité thermique ou une défaillance du joint d'étanchéité de l'élément se produise périodiquement en raison de la dilatation thermique dans un système fermé d'alimentation en eau. Le compteur d'eau du service public d'alimentation peut contenir un clapet antiretour, un dispositif antirefoulement ou un robinet réducteur de pression d'eau, qui créera un circuit fermé de circulation d'eau. Durant le cycle de chauffage de l'eau, l'eau se dilate, ce qui entraîne une hausse de la pression à l'intérieur du chauffe-eau. La soupape de décharge et de sécurité thermique peut alors décharger de l'eau chaude, ce qui entraîne une perte d'énergie et une accumulation de calcaire sur le siège de la soupape. Pour éviter que cela se produise, il y a deux recommandations:

1. Installez un vase d'expansion de type diaphragme, qui convient à l'eau potable, sur la conduite d'alimentation en eau froide. Le vase d'expansion doit avoir une capacité minimale de 5,25 litres (1,5 gallon) pour chaque tranche de 175 litres (50 gallons) d'eau emmagasinée.
2. Installez une soupape de décharge de 862,5 kPa (125 po/lb²) sur la conduite d'alimentation en eau froide. Assurez-vous que la décharge de cette soupape est dirigée vers un drain ouvert et qu'elle est protégée contre le gel. Adressez-vous au

fournisseur d'eau local ou à un inspecteur de plomberie pour obtenir de l'information sur la façon de contrôler cette situation. Ne bouchez pas la soupape de décharge et de sécurité thermique.

Directives d'utilisation

Mise en marche et essai

Le remplissage de la chaudière avec l'eau de réseau est la dernière opération à effectuer, avant de le mettre sous tension. On l'effectue en ouvrant le robinet central de l'installation et celui de l'eau chaude jusqu'à la sortie de tout l'air de la chaudière.

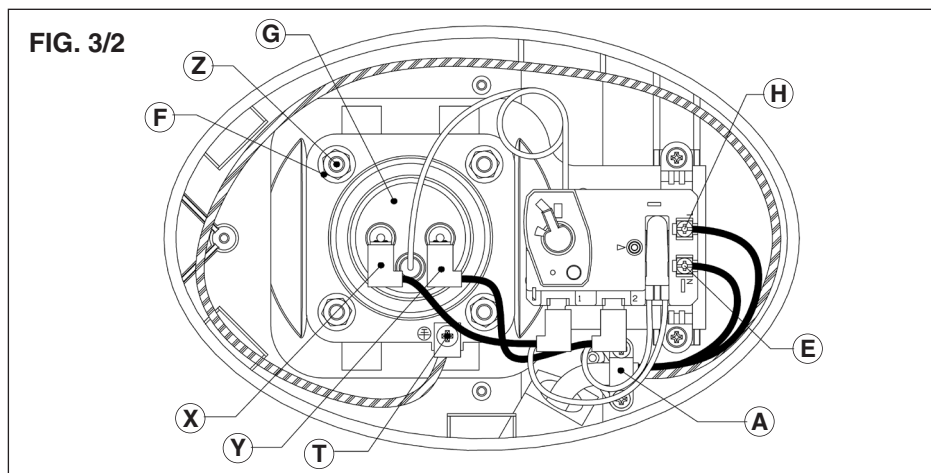
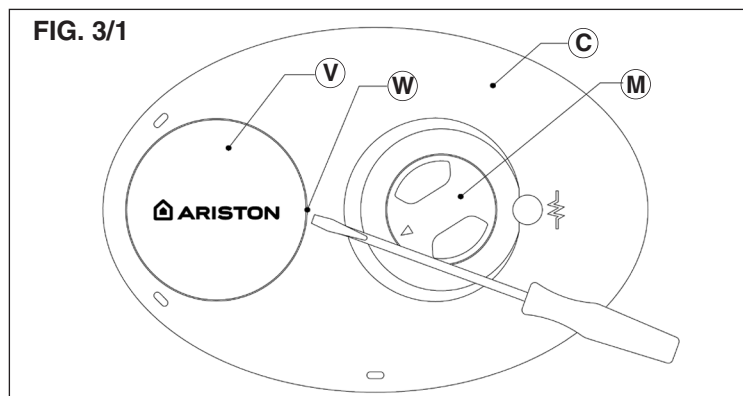
Vérifier visuellement l'existence d'éventuelles pertes d'eau.

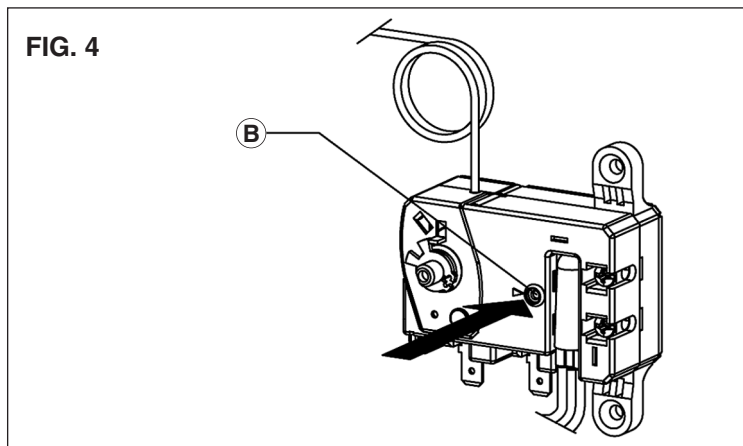
Pour la mise sous tension des modèles dépourvus d'interrupteur, tourner le bouton de réglage dans le sens des aiguilles d'une montre.

Le témoin lumineux rouge s'allumera et restera allumé jusqu'à ce que la température désirée soit atteinte, après quoi le témoin lumineux s'éteindra, mais se rallumera automatiquement lorsque la température de l'eau chutera sous le réglage choisi.

Réglage de la température

Le réglage de la température s'effectue en tournant la poignée **M** fig. 3/1 placée sur la partie antérieure de la calotte: dans le sens horaire pour l'augmenter, dans le sens antihoraire pour la diminuer.





Directives d'entretien

Remarque: N'essayez pas de réparer ce chauffe-eau vous-même. Faites appel à un réparateur pour obtenir de l'aide. Débranchez toujours l'alimentation électrique du chauffe-eau avant de procéder à l'entretien ou à la purge du chauffe-eau.

Entretien périodique

Enlever la couverture

Remarque: Pour effectuer la plupart de ces opérations, il faut purger l'eau du chauffe-eau. Il faut couper l'électricité et enlever le couvercle avant.

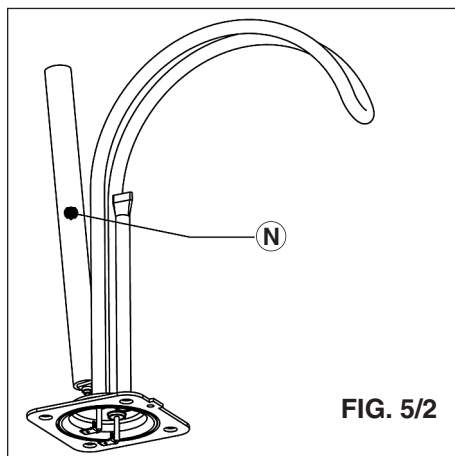
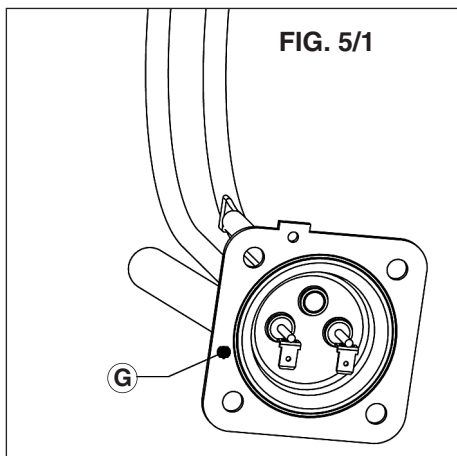
1. Dégagez la plaque d'identification ronde (" V " à la fig. 3/1) en soulevant son rebord droit (" W " à la fig. 3/1) à l'aide d'un petit tournevis à lame plate.
2. Enlevez la vis à tête Phillips qui apparaît sous la plaque d'identification ronde.
3. Le couvercle (" C " à la fig. 3/1) peut maintenant être enlevé en soulevant son rebord gauche. Lors du réassemblage, procédez de façon inverse en faisant attention de bien insérer la langue du couvercle dans la fente.

Purge du chauffe-eau

- 1) Si le chauffe-eau est muni d'une tuyauterie souple, coupez l'alimentation électrique et tournez le chauffe-eau à l'envers au-dessus d'un évier pour le vider de son eau OU
- 2) Si le chauffe-eau est muni d'une tuyauterie rigide, siphonnez l'eau par n'importe quel robinet de service (inférieur) du côté de la conduite d'admission. Gardez un robinet d'eau chaude ouvert pendant que vous siphonnez l'eau OU
- 3) Si le chauffe-eau est muni d'une tuyauterie souple, vous pouvez le vider en siphonnant l'eau par le tuyau se trouvant du côté de l'admission d'eau. Gardez un robinet d'eau chaude ouvert pendant que vous siphonnez l'eau.

Enlèvement de l'élément chauffant

1. Coupez l'alimentation électrique et purgez le chauffe-eau (voir la section précédente).
2. Enlevez le couvercle avant et débranchez les bornes X, Y et T (fig. 3/2).
3. Dévissez les quatre écrous de fixation de l'élément chauffant (" F " à la fig. 3/2).
4. Enlevez l'élément (" G " à la fig. 5/1).



Détartrage de l'élément chauffant

Des dépôts de tartre peuvent affecter la capacité chauffante de l'élément. Une grande quantité de tartre peut même faire sauter l'élément. L'élément peut être détartré chimiquement ou manuellement:

- A) Faites tremper l'élément dans du vinaigre blanc ou une autre solution de détartrage. Une fois détartré, rincez-le bien avec de l'eau douce à laquelle vous aurez ajouté un peu de bicarbonate de soude, OU
- B) Quand l'élément sera sec, utilisez une brosse douce (non métallique pour éviter d'endommager la gaine d'acier inoxydable) sur l'élément. Enlevez le tartre desséché avec la brosse. Réinstallez l'élément et son joint d'étanchéité, puis rebranchez les fils.
- C) Remplacez la tige d'anode (" N " à la fig. 5/2) si elle est manifestement détériorée ou considérablement plus courte que celle illustrée à la figure 5/2.

MISE EN GARDE: Assurez-vous que le réservoir a été rempli avant de rétablir le courant.

REPLACEMENT DE PIÈCES

Changement de la tige d'anode

La tige d'anode (" N " à la fig. 5/2) aide à protéger le réservoir contre la corrosion. Selon la dureté de l'eau, la tige d'anode en magnésium pourrait devoir être changée à peu près une fois par année. La corrosion galvanique et électrolytique peut détruire un réservoir si la tige d'anode est " usée ". Une eau rouillée est habituellement une indication que la tige d'anode est " usée ". Si l'eau est rouillée, examinez la tige d'anode immédiatement. Une dégradation accélérée de la tige d'anode (en moins d'un an) peut indiquer la présence de corrosion galvanique causée par un courant continu " errant ". Dans ce cas, il pourrait s'avérer nécessaire d'ajouter un " bracelet de mise à la terre " reliant le réservoir du chauffe-eau Ariston à la tuyauterie en cuivre.

1. Coupez l'alimentation électrique et purgez le chauffe-eau (voir la section intitulée " Purge du chauffe-eau ").
2. Enlevez l'élément chauffant (voir la section précédente).
3. Enlevez et remplacez la tige d'anode (" N " à la fig. 5/2).
4. **Remplissez le réservoir d'eau avant de rétablir le courant.**

Remplacement de l'élément chauffant

1. Coupez l'alimentation électrique et purgez le chauffe-eau (voir la section intitulée "Purge du chauffe-eau").
2. Enlevez l'élément chauffant (voir la section intitulée "Enlèvement de l'élément chauffant").
3. Installez le nouvel élément et son joint d'étanchéité, en veillant à ce qu'ils soient bien placés. Serrez les écrous de fixation et branchez les fils.
4. **Remplissez le réservoir d'eau avant de rétablir le courant.**

Remplacement du thermostat

1. Coupez l'alimentation électrique.
2. Débranchez les deux fils de type pousser-tirer sur le thermostat.
3. Desserrez les deux vis de laiton se trouvant du côté droit du thermostat et débranchez les fils en les tirant.
4. Dévissez et enlevez les deux vis à tête Phillips retenant le thermostat en place.
5. Installez le nouveau thermostat et remplacez les fils et les vis.

Réinitialisation de l'interrupteur à limite supérieure

Il se peut qu'à l'occasion, l'interrupteur à limite supérieure s'enclenche et éteigne le système. Cela se produit lorsque la température de l'eau dépasse 87,7 °C (190 °F). Il coupe alors l'alimentation électrique de l'élément chauffant. Le dispositif d'arrêt peut également s'enclencher lors d'une panne d'électricité ou d'un orage électrique.

Pour atteindre le thermostat :

1. Débrancher le cordon d'alimentation et enlever la couverture de devant. Ferme ment la presse remet à l'état initial le bouton (B Fig. 4) avec la pointe d'un stylo de point de balle ou d'objet similaire. Un déclic indique que le remet à l'état initial a été trebuché. Reconnecter le pouvoir.
2. **IMPORTANT** : Vérifier l'opération du thermostat, le cadran de température de virage d'haut au niveau bas, si la lumière rouge ne saute pas sur le cadre de niveau bas, le virage de l'alimentation et appelle une personne de service pour remplacer le thermostat.
3. Si le système travaille, place le cadre de cadran au cadre désiré. La note : un cadre plus bas est plus économique et réduit le risque de scalding. Remplacez la plaque-couvercle

MISE EN GARDE: Faites appel à un technicien si l'interrupteur à limite supérieure doit être réinitialisé fréquemment.

Résolution de problèmes

L'eau ne se réchauffe pas

1. Assurez-vous que l'appareil est sous tension et qu'il fonctionne.
2. Si le témoin lumineux ne s'allume pas, assurez-vous que le bouton de réinitialisation est bien enfoncé; suivez les directives décrites à la section précédente.
3. Si le témoin lumineux fonctionne correctement, mais que l'eau du robinet n'atteint pas la température désirée, vérifiez s'il n'y a pas un croisement de tuyauterie. Coupez l'arrivée d'eau froide et ouvrez un robinet d'eau chaude. Il ne devrait y avoir aucun écoulement d'eau. Tout écoulement continu est l'indication d'un croisement de tuyauterie affectant la température et devant être corrigé.
4. Remplacez l'élément chauffant (voir la section traitant du changement de l'élément chauffant).

Le témoin lumineux n'est pas allumé

1. Si le témoin lumineux ne s'allume pas, mais que l'eau devient chaude, vérifiez si l'ampoule n'est pas défectueuse ou grillée.
2. Vérifiez le bouton de réinitialisation; suivez les directives décrites à la section précédente.

L'eau est brune

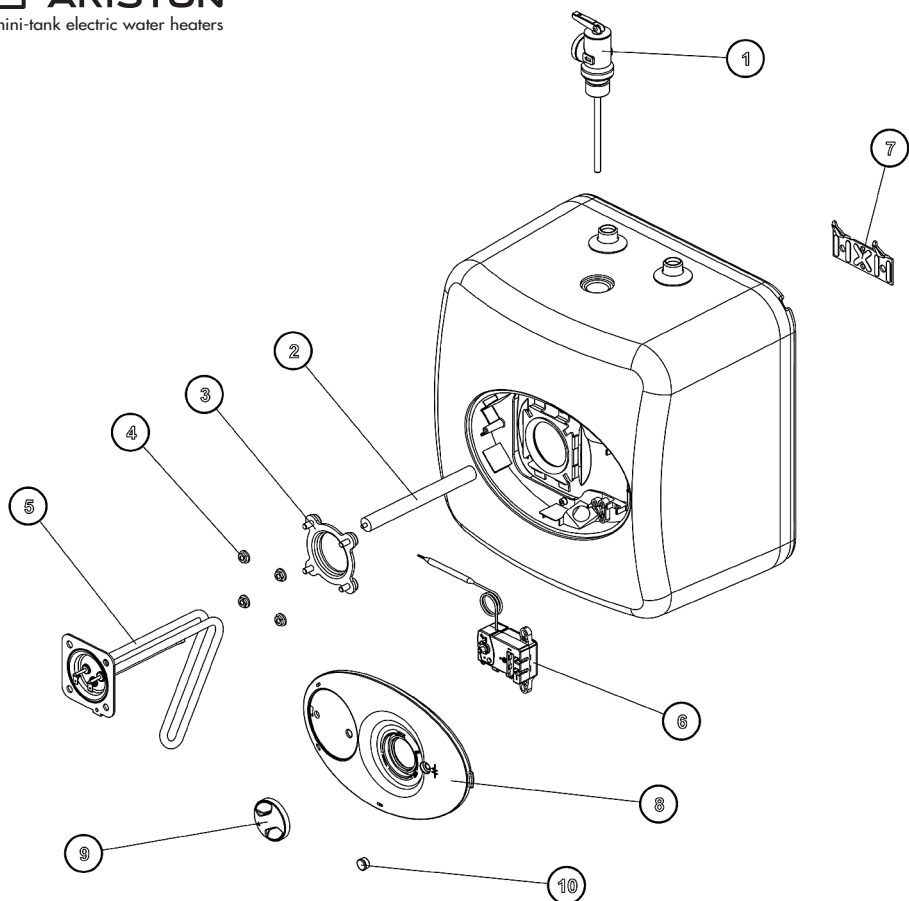
1. De l'eau brune ou rouillée est une indication que la tige d'anode est " usée ".

L'eau a une odeur

1. La mauvaise odeur de l'eau peut être attribuable à une réaction inusitée entre l'eau de la localité et la tige d'anode du chauffe-eau. Vérifiez la tige d'anode (voir la section traitant du changement de la tige d'anode).

Il y a des fuites

1. Vérifiez les raccordements des conduites d'eau et ceux de la soupape de décharge et de sécurité thermique sur le dessus du réservoir.
2. Enlevez le panneau du couvercle et examinez le joint d'étanchéité de l'élément chauffant.
3. Le propriétaire doit déposer sa réclamation auprès de Bosch Water Heating, à l'adresse indiquée ci-dessous, qui se chargera de traiter la réclamation.



DESCRIPTION	RÉF.	PIÈCE	CODE	DESCRIPTION	RÉF.
GL 2.5 S	A	1	100XL	VANNE (T&P 3/4")	ABC
GL 4 S - GL 4 CA S	B	2	570241	ANODE (MAGNÉSIUM)	C
GL 6+ S	C	2	574305	ANODE (MAGNÉSIUM)	AB
		3	994147	JOINT AVEC 4 BOULONS	ABC
		4	994140	ÉCROU M6	ABC
		5		RESISTANCE (1500/120)	AB
		5		RESISTANCE (1500/120)	C
		6		THERMOSTAT CABLE	AB
		6		THERMOSTAT CABLE	C
		7	570341	ETRIER DE FIXATION	C
		8			
		9			
		10			

**DIAGRAMME
DES COMPOSANTS INTÉRIEURS
DES CHAUFFE-EAU ARISTON
GL 2.5 S, 4 S, 4C A S, 6+ S**

GARANTIE LIMITÉE DE SIX ANS D'ARISTON

COUVERTURE

ARISTON, PAR L'ENTREMISE DE SON DISTRIBUTEUR NORD-AMÉRICAIN Bosch Thermotechnology Corp. (ci-après appelé " Bosch ") garantit à son propriétaire (ci-après appelé le " propriétaire ") le chauffe-eau, à l'endroit où il aura été installé initialement, contre la défectuosité des matériaux ou les défauts de fabrication durant les périodes stipulées ci-dessous.

PÉRIODE DE GARANTIE

1. Le réservoir interne – Si le réservoir interne fuit au cours des six (6) années suivant la date de l'installation initiale du chauffe-eau, en raison d'une défectuosité des matériaux ou un défaut de fabrication, Bosch fournira audit propriétaire un nouveau chauffe-eau du modèle équivalent disponible à ce moment.

2. Toute pièce autre que le réservoir interne original – Si l'une ou l'autre des pièces (autre que le réservoir interne) s'avère défectueuse, le défaut étant attribuable aux matériaux ou à la fabrication, au plus tard un (1) an après la date de l'installation initiale du chauffe-eau, Bosch fournira au propriétaire la ou les pièce(s) de rechange pertinente(s) pour la ou les pièce(s) défectueuse(s).

3. Vérification de la date d'installation initiale – Si le propriétaire n'est pas en mesure de vérifier ou de documenter la date de l'installation initiale, la période de garantie commencera à la date de fabrication inscrite sur l'étiquette apposée sur le chauffe-eau.

EXCLUSIONS

1. LA PRÉSENTE GARANTIE LIMITÉE CONSTITUE L'UNIQUE GARANTIE FAITE PAR LE FABRICANT, EN LIEU ET PLACE DE TOUTE AUTRE GARANTIE, EXPLICITE OU IMPLICITE (QU'ELLE SOIT ÉCRITE OU ORALE), Y COMPRIS MAIS SANS S'Y LIMITER, LES GARANTIES DE QUALITÉ MARCHANDE ET D'APTITUDE À UN USAGE PARTICULIER.

2. Le fabricant décline toute responsabilité à l'égard des dommages ou dépenses accessoires, consécutifs ou indirects résultant, directement ou indirectement, de toute défectuosité ou de l'usage du chauffe-eau.

3. Le fabricant décline toute responsabilité à l'égard de tout dégât d'eau résultant, directement ou indirectement, de la défectuosité d'une pièce quelconque du chauffe-eau ou de l'usage du chauffe-eau.

4. Le fabricant déclinera toute responsabilité liée à la présente garantie si :

- a) le chauffe-eau ou l'une ou l'autre de ces pièces a fait l'objet d'un usage abusif, d'une altération, de négligence ou d'un accident; ou
- b) le chauffe-eau n'a pas été installé conformément au(x) code(s) de plomberie et(ou)

du bâtiment et(ou) au(x) règlement(s) local(aux) applicable(s); ou

c) le chauffe-eau n'a pas été installé conformément aux directives écrites du fabricant; ou

d) le chauffe-eau n'est pas toujours alimenté avec de l'eau potable.

5. Le propriétaire, et non pas le fabricant ou son représentant, sera responsable de tous frais engagés sur le terrain pour payer la main-d'œuvre ou d'autres dépenses liées à l'enlèvement et(ou) à la réparation du produit ou de tous frais engagés par le propriétaire pour faire réparer le produit.

ÉTANT DONNÉ QUE CERTAINS ÉTATS OU CERTAINES PROVINCES NE PERMETTENT PAS L'EXCLUSION OU LA LIMITATION DES DOMMAGES ACCESSOIRES OU CONSÉCUTIFS, LES LIMITATIONS OU LES EXCLUSIONS SUSMENTIONNÉES POURRAIENT NE PAS S'APPLIQUER À VOUS. LA PRÉSENTE GARANTIE CONFÈRE DES DROITS JURIDIQUES PRÉCIS, ET IL SE POURRAIT QUE VOUS AYEZ D'AUTRES DROITS, QUI PEUVENT VARIER D'UN ÉTAT OU D'UNE PROVINCE À L'AUTRE.

REMARQUE : Le chauffe-eau devra être installé de telle façon qu'en cas de fuite, l'écoulement d'eau en résultant n'endommage pas l'endroit où il se trouve.

COMMENT LE PROPRIÉTAIRE PEUT DEMANDER UNE RÉPARATION OU DÉPOSER UNE RÉCLAMATION

1. Le propriétaire doit s'adresser au détaillant qui lui a vendu le chauffe-eau couvert par la présente garantie; ou

2. Le propriétaire doit déposer sa réclamation auprès de Bosch, à l'adresse indiquée ci-dessous, qui se chargera de traiter la réclamation.

3. Si le propriétaire soumet une demande de renseignement ou de service, il doit préciser le numéro de modèle du chauffe-eau, sa date de fabrication, sa date d'installation, le nom du détaillant, ainsi que son wattage et son voltage.

4. Si vous retournez le chauffe-eau ou, encore, une ou plusieurs de ses pièces, vous devrez les identifier, au moyen d'étiquettes individuelles comportant le numéro d'autorisation de retour de marchandise que vous aura donné Bosch et les envoyer à Bosch en port payé à l'adresse indiquée ci-dessous.

Bosch Thermotechnology Corp.

50 Wentworth Ave Londonderry,
NH03053

www.boschhotwater.com

INSTRUCCIONES DE SEGURIDAD IMPORTANTES

ADVERTENCIA Al utilizar aparatos eléctricos, para reducir el riesgo de incendio, descarga eléctrica y lesiones corporales, deben seguirse ciertas medidas de precaución, entre las cuales están las siguientes:

1. **LEA TODAS LAS INSTRUCCIONES ANTES DE USAR ESTE CALENTADOR DE AGUA.**
2. Este calentador de agua debe estar conectado a tierra. Conéctelo solamente a una toma de corriente conectada a tierra. Vea el apartado "INSTRUCCIONES DE CONEXIÓN A TIERRA" en la sección "INSTRUCCIONES DE INSTALACIÓN".
3. Sólo instale o ubique este calentador de agua de conformidad con las instrucciones de instalación suministradas.
4. Use este calentador de agua sólo para el uso especificado, según se describe en este manual.
5. No use ningún cordón de extensión con este calentador de agua. Si no hay ninguna toma de corriente disponible junto al calentador de agua, comuníquese con un electricista calificado para que instale una correctamente.
6. Como en el caso de cualquier aparato eléctrico, es necesaria una estrecha supervisión cuando la unidad sea utilizada por niños.
7. No utilice este calentador de agua si no funciona correctamente o si ha sido dañado o sufrido una caída.
8. Solamente personal de servicio calificado debe dar servicio a este calentador de agua. Para todo examen, reparación o ajuste de la unidad, llame a un técnico de servicio.
9. La falta de sustitución del ánodo de magnesio, al menos una vez por año, puede causar que el tanque falle y tenga pérdidas. Todo calentador de agua debe instalarse de una manera tal, que si llegara a tener una fuga de agua, el flujo de agua resultante no cause daños en el área donde esté instalado.

Los Reglamentos Nacionales de Fontanería requieren la instalación de una bandeja colectora. Si no se instala una, es responsabilidad del propietario y/o instalador. Consulte el documento UPC 2000 -Reglamento Uniforme de Fontanería- (Uniform Plumbing Code) Sección 510 - Protección contra Daños (Protection from Damage) o el documento IPC 200 -Reglamento Internacional de Fontanería- (International Plumbing Code) Sección 504 - Dispositivos de Seguridad (Safety Devices).

SALVE ESTAS INSTRUCCIONES

Datos técnicos

MODELO		GL 2.5 S	GL 4 S GL 4 CA S	GL 6+ S
Capacidad	galones	2.7	4.0	7.0 (Hor)/5.1 (Vert)
Voltaje	Vac	110/120 para cada modelo		
Potencia a 120 Vac	Watts	1500	1500	1500
Presión de agua máxima	psi	150	150	150
Peso	Lbs	15.5	17.3	29.5
Intensidad de corriente	A	12.50 para cada modelo		
Fases		1	1	1
Gamma de temperatura	F	65-145		
Tasa de recuperación	galones/hora	6,8		

ADVERTENCIA El instalador debe estudiar el contenido de este manual con el propietario al terminar la instalación, el manual debe quedarse con el propietario y debe guardarse en un lugar cercano al lugar de instalación.

FIG. 1/1

Toma de agua caliente, rosca macho NPT de 1/2

Válvula de alivio de temperatura y presión, rosca macho NPT de 3/4

Entrada de agua fría, rosca macho NPT de 1/2

Rosca hembra NPT de 3/4 para la válvula de alivio

Conducto de descarga de la válvula de alivio de temperatura y presión al drenaje

GL 2.5 S - GL 4 S
GL 4 CA S

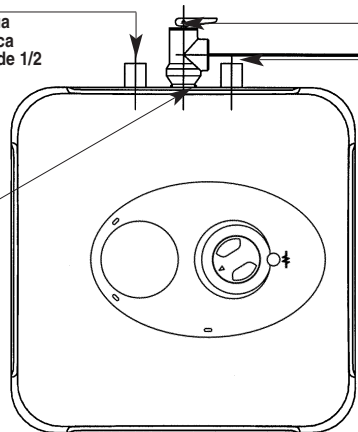


FIG. 1/2

Válvula de alivio de temperatura y presión, rosca macho NPT de 3/4

GL 6+ S Instalación horizontal

Rosca hembra NPT de 3/4 para la válvula de alivio

Salida de agua caliente, rosca macho NPT de 3/4

Tapón con rosca macho NPT de 3/4

Conducto de descarga de la válvula de alivio de temperatura y presión al drenaje

Rosca hembra NPT de 3/4

Entrada de agua fría, rosca macho NPT de 3/4

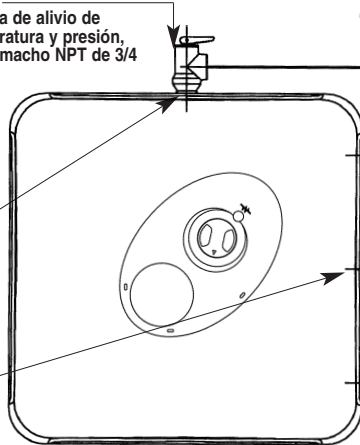


FIG. 1/3

Válvula de alivio de temperatura y presión, rosca macho NPT de 3/4

Entrada de agua fría, rosca macho NPT de 3/4

GL 6+ S Instalación vertical

Salida de agua caliente, rosca macho NPT de 3/4

Rosca hembra NPT de 3/4 para la válvula de alivio

Conducto de descarga de la válvula de alivio de temperatura y presión al drenaje

Tapón macho NPT de 3/4

Rosca hembra NPT de 3/4

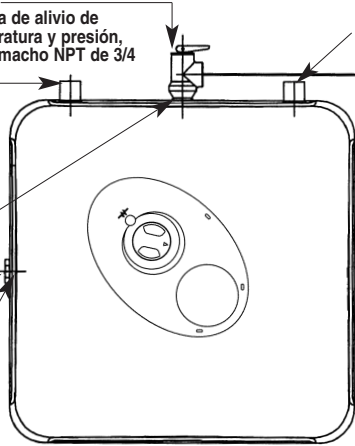


FIG. 2/1

DIMENSIONES DEL GL 2.5 S - GL 4 S - GL 4 CA S

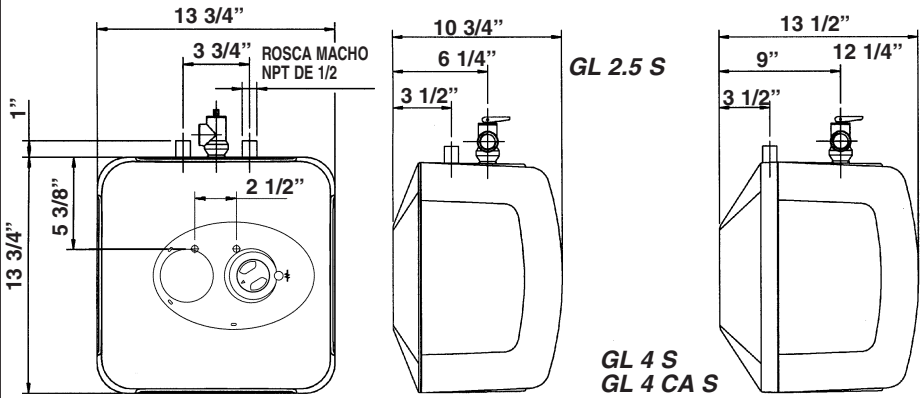


FIG. 2/2

DIMENSIONES DEL GL 6+ S (INSTALACIÓN HORIZONTAL)

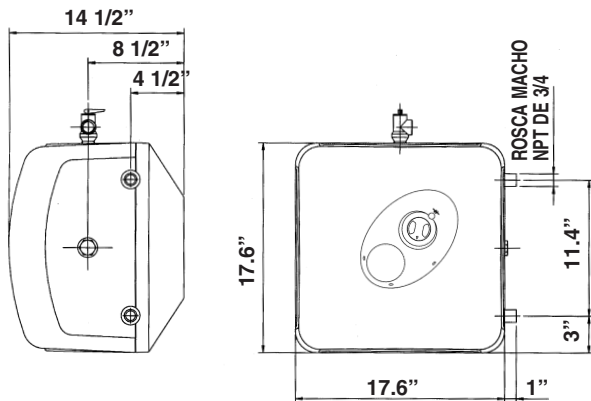
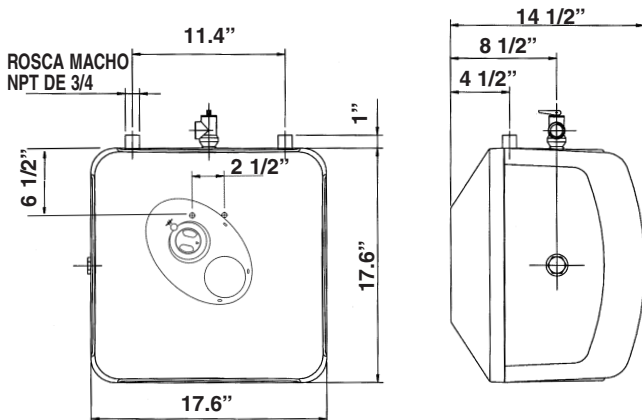


FIG. 2/3

DIMENSIONES DEL GL 6+ S (INSTALACIÓN VERTICAL)

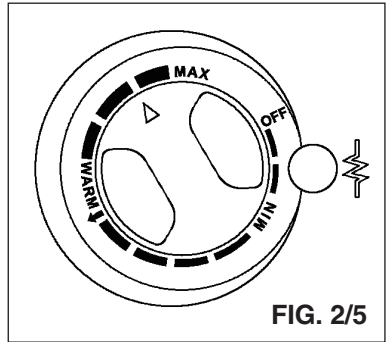
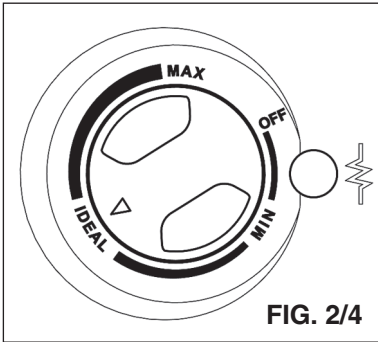


Comentarios generales

PRECAUCIÓN El fabricante no puede ser responsable de ningún daño causado por una instalación incorrecta o por no seguirse las instrucciones señaladas en este manual. Cumpla las instrucciones de instalación antes de efectuar la conexión eléctrica.

PRECAUCIÓN El modelo de GL 4 CA S es solamente aprobado para las instalaciones en Canada.

PRECAUCIÓN El termostato ha sido pre-configurado de fábrica a una temperatura:
- Igual o inferior a 51,7°C (125°F) para GL 2.5 S, GL 4 S, GL 6+ S para EE.UU con UL certification (Vea fig. 2/4).
- Equivalente al 60°C (140°F) para GL 4 CA S para Canada con CSA certification. Compruebe los codigos locales para ver si la instalacion de una valvula de temple se requiere (Vea fig. 2/5).



PRECAUCIÓN Puede generarse gas de hidrógeno en un sistema de agua caliente alimentado por este calentador que no haya sido usado durante un largo período (generalmente dos semanas o más). El gas de hidrógeno es sumamente inflamable. Para reducir el riesgo de lesiones en estas condiciones, se recomienda abrir la llave de agua caliente durante varios minutos antes de usar cualquier aparato eléctrico conectado al sistema de agua caliente. Si hay presente gas de hidrógeno, probablemente habrá un sonido inusual como el del aire al escaparse a través de un tubo cuando comienza a fluir el agua. En este momento no debe haber humo ni ninguna flama abierta cerca de la llave.

PRECAUCIÓN Todo calentador de agua debe instalarse de una manera tal, que si llegara a gotear, el flujo de agua resultante no cause daños en el área donde esté instalado. Los Reglamentos Nacionales de Fontanería requieren la instalación de una bandeja colectora. Si no se instala una de ellas, es responsabilidad del propietario y/o instalador. Consulte el documento UPC 2000 (Reglamento Uniforme de Fontanería) Sección 510 - Protección contra Daños o el documento IPC 2000 (Reglamento Internacional de Fontanería) Sección 504- Dispositivos de Seguridad.

Instrucciones de instalación

MODELOS GL 2.5 S - GL 4 S - GL 4 CA S - GL 6+ S

Los calentadores de agua GL 2.5 S, GL 4 S y GL 4 CA S pueden instalarse bajo el fregadero o lavamanos.

Montaje en la pared

Fije el soporte de montaje suministrado en la pared. Utilice tornillos apropiados para el material de la pared y para el peso del calentador. Coloque el calentador de agua en el soporte. Jale el calentador hacia abajo para asegurarse de que ambos "dedos" del soporte queden asentados en las ranuras de montaje.

Montaje en el piso

El calentador puede reposar en el piso.

Conexiones de tubería

Conecte el tubo de entrada de agua fría al tubo corto de entrada (está marcado con un anillo azul) y el tubo de salida de agua caliente al tubo corto de salida de agua caliente al tubo corto de salida (está marcado con un anillo rojo).

El modelo GL 6+ S puede conectarse horizontalmente, por el costado o verticalmente, por la parte superior. Si desea instalar horizontalmente la unidad, con las conexiones de la tubería en el lado derecho, debe asegurarse de que esté tapada con un tapón la llave situada entre las dos roscas y la válvula de alivio de temperatura y presión suministrada deberá instalarse en la parte superior. En la fig. 2/2 puede ver la ubicación de la válvula de alivio de T y P.

Si desea instalar verticalmente la unidad, con las conexiones de la tubería en la parte superior, debe asegurarse de que esté tapada con un tapón la llave del costado y la válvula de alivio de temperatura y presión suministrada deberá instalarse en la parte superior. En la fig. 2/3 puede ver la ubicación de la válvula de alivio de T y P.

PRECAUCIÓN

Para reducir el riesgo de una presión o temperatura excesiva en este calentador de agua, instale el equipo suministrado de protección contra temperatura y presión excesivas requerido por los reglamentos locales, pero no menos que una válvula combinada de alivio de temperatura y presión certificada por un laboratorio de pruebas reconocido a nivel nacional que mantenga una inspección periódica de la producción de los equipos o materiales clasificados, de conformidad con los requisitos correspondientes a Válvulas de Alivio y Dispositivos de Cierre Automático de Gas, ANSI Z21.22. La válvula suministrada de alivio de temperatura y presión está marcada con una presión fija máxima (150 psi [lb/pulg. cuad.]) que no excede la presión de trabajo máxima marcada del calentador de agua. Instale la válvula en la abertura suministrada y marcada para este propósito en el calentador de agua, y oriéntela o instale la tubería de manera que cualquier descarga proveniente de la válvula salga dentro de una distancia de 6 pulg. arriba, o a cualquier distancia abajo, el piso estructural, y no pueda tocar ninguna pieza eléctrica. La abertura de descarga no debe estar bloqueada ni reducida de tamaño en ninguna circunstancia.

Los Reglamentos Nacionales de Fontanería requieren la instalación de una bandeja colectora. Si no se instala una de ellas, es responsabilidad del propietario y/o instalador. Consulte el documento UPC 2000 (Reglamento Uniforme de Fontanería) Sección 510 - Protección contra Daños o el documento IPC 2000 (Reglamento Internacional de Fontanería) Sección 504- Dispositivos de Seguridad.

Expansión térmica en un sistema cerrado (para todos los modelos)

Una descarga periódica de la válvula de alivio de temperatura y presión o una falla del empaque del elemento puede deberse a una expansión térmica en un sistema de suministro de agua cerrado. El medidor de suministro del servicio de agua puede contener una válvula de retención, obturador de contraflujo o válvula reductora de presión de agua que forme un sistema de agua cerrado. Durante el ciclo de calentamiento del calentador de agua, el agua se expande y causa un aumento en la presión dentro del calentador. La válvula de alivio de temperatura y presión puede descargar agua en estas condiciones, lo cual produce una pérdida de energía y una acumulación de escama en el asiento de la válvula de alivio.

Para evitar tal situación, se recomiendan dos cosas:

1. Instale un tanque de expansión tipo diafragma apropiado para agua potable en la tubería de suministro de agua fría. El tanque de expansión debe tener una capacidad mínima de 1.5 galones norteamericanos por cada 50 galones de agua almacenada.
2. Instale una válvula de alivio de 125 PSI en la tubería de suministro de agua fría. Asegúrese de que la descarga de esta válvula esté dirigida a un drenaje abierto y esté protegida de una congelación. Si necesita información sobre la forma de

controlar esta situación, comuníquese con la compañía de suministro de agua o con un inspector de fontanería de la localidad. No tape la válvula de alivio de temperatura y presión.

Instrucciones para el uso de la unidad

Inicio y pruebas

El llenar la caldera con el agua de la red hídrica es la última operación que se ha de efectuar antes de dar tensión. Se efectúa abriendo el grifo central de la instalación doméstica y el del agua caliente hasta que salga todo el aire de la caldera.

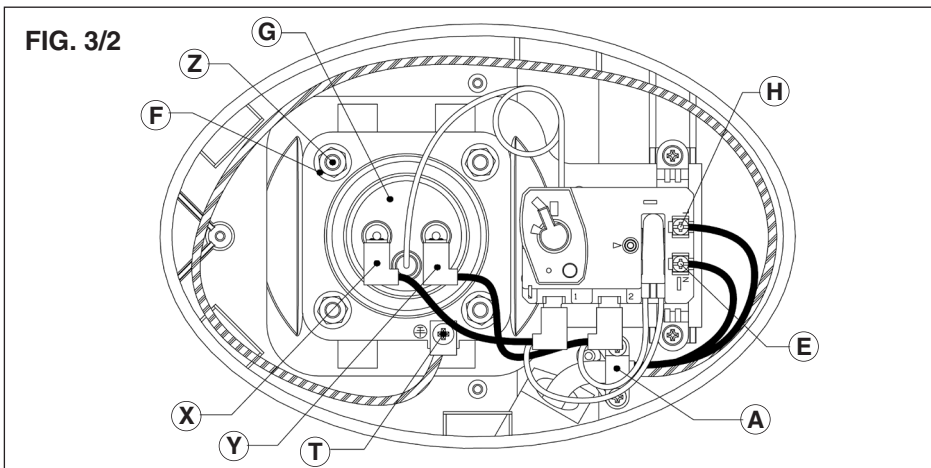
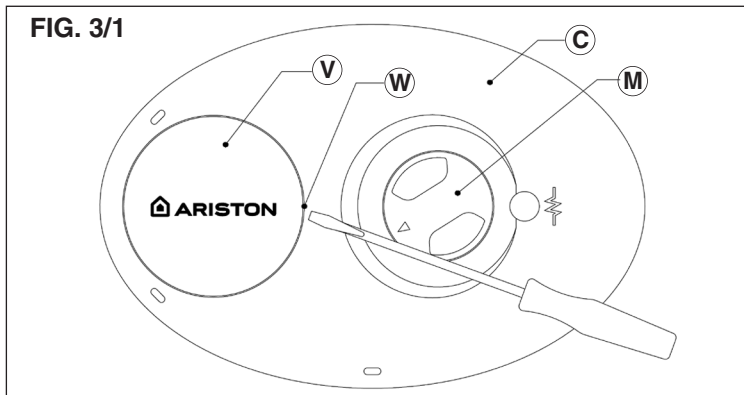
Verificar visivamente la existencia de eventuales pérdidas de agua.

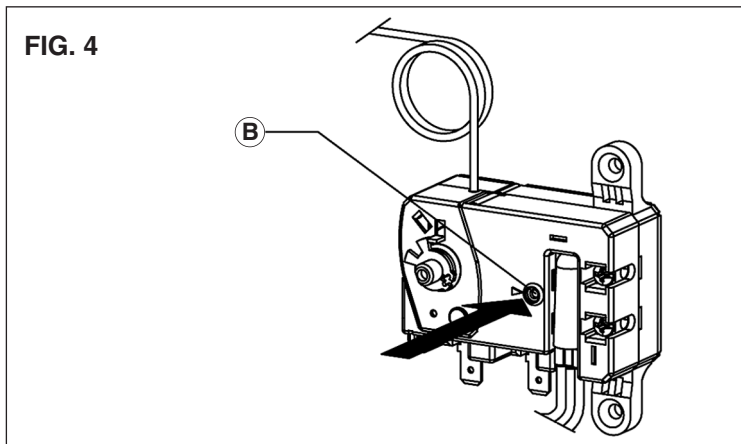
En los modelos que no poseen interruptor, encienda girando el mando de regulación en sentido horario.

En seguida se enciende la luz roja y permanece encendida hasta que se alcanza la temperatura, momento en el cual se apaga la luz, pero vuelve a encenderse automáticamente cuando la temperatura cae abajo del nivel escogido.

Ajuste de la temperatura

La regulación de la temperatura se efectúa haciendo rodar la manopla **M** fig. 3/1 puesta sobre el frontal del casquillo: en sentido horario para aumentar la temperatura, en sentido antihorario para disminuirla.





Instrucciones de mantenimiento

Nota: No intente reparar usted mismo este calentador de agua. Llame a un técnico de servicio si necesita asistencia. Siempre apague la corriente suministrada al calentador antes de darle servicio o drenarlo.

Mantenimiento periódico

Quitar la cubierta

Nota: Para la mayoría de estas operaciones debe drenarse el agua del calentador. Para todas estas operaciones debe apagarse el suministro de corriente y debe retirarse la tapa frontal.

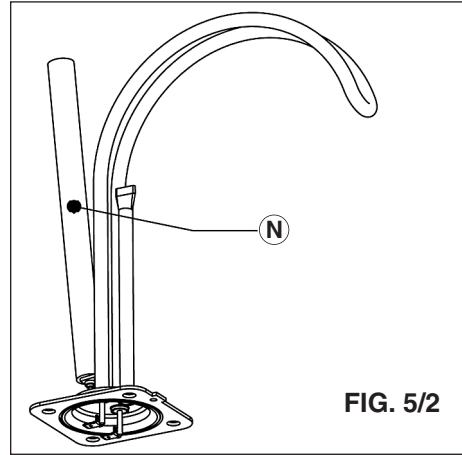
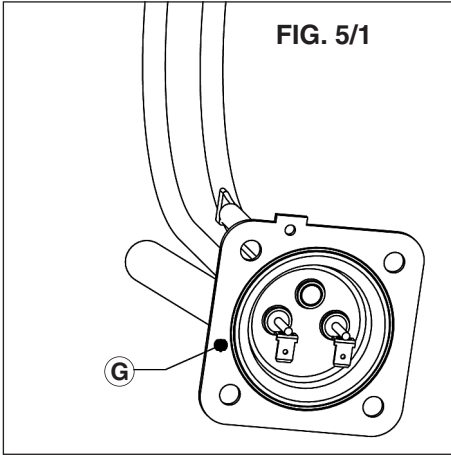
1. Con un destornillador pequeño de punta plana desprenda la placa protectora redonda (V, fig. 3/1) por su orilla derecha (W, fig. 3/1).
2. Retire el tornillo Phillips situado bajo la placa protectora redonda.
3. Ahora puede retirarse la tapa (C, fig. 3/1) extrayendo la orilla izquierda de la misma. Al rearmar la unidad, proceda en sentido inverso, teniendo cuidado de introducir la lengua de la tapa en la ranura.

Drenado del calentador

- 1) Si el calentador ha sido instalado con mangueras flexibles, apague el suministro de corriente y ponga de cabeza el calentador sobre un fregadero para drenar toda el agua, o bien,
- 2) Si el calentador ha sido instalado con tubería rígida, extraiga el agua con sifón a través de cualquier válvula de servicio (inferior) en el (lado de la entrada). Mantenga abierta una llave de agua caliente mientras extrae el agua con sifón, o bien,
- 3) Si el calentador ha sido instalado con mangueras flexibles, también puede extraerse el agua con sifón por la manguera del lado de la entrada. Mantenga abierta una llave de agua caliente mientras extrae el agua con sifón.

Desmontaje del elemento de calentamiento

1. Apague el suministro de corriente y drene el calentador (consulte la sección anterior).
2. Retire la placa protectora frontal y desconecte las terminales X, Y y T (fig. 3/2).
3. Destornille las cuatro tuercas de retención F del elemento (fig. 3/2).
4. Retire el elemento G (fig. 5/1).



Desescamado del elemento de calentamiento

Los depósitos de escama pueden afectar la capacidad de calentamiento del elemento.

Una acumulación de escama gruesa puede incluso causar la quemadura del elemento. El elemento puede desescamarse química o manualmente:

- A) Remoje el elemento en vinagre blanco o en cualquier otra solución desescamadora. Una vez desescamado el elemento, enjuáguelo bien con agua dulce, a la cual debe agregarle un poco de bicarbonato de sodio, o bien,
- B) Una vez que esté seco el elemento, cepille el elemento con un cepillo suave (no metálico para evitar dañar la vaina de acero inoxidable). Limpie con el cepillo el mineral seco. Vuelva a instalar el elemento con el empaque y efectúe las conexiones de los alambres.
- C) Reempace la barra del ánodo (N, fig. 5/2) si está notablemente deteriorada o considerablemente más corta de lo que se ve en la figura 5/2.

ADVERTENCIA: Asegúrese de haber llenado el tanque de agua antes de volver a conectar la corriente.

REEMPLAZO DE PIEZAS

Cambio de la barra del ánodo

La barra del ánodo (N, fig. 5/2) ayuda a proteger el tanque contra la corrosión. Según sea el estado del agua, puede ser necesario cambiar aproximadamente cada año la barra de magnesio del ánodo. La corrosión galvánica y electrolítica puede destruir un tanque si está "gastada" la barra del ánodo. Normalmente, el agua con óxido es una indicación de que está "gastada" la barra del ánodo. Si hay agua con óxido presente, examine de inmediato la barra del ánodo. Una rápida degradación de la barra del ánodo (menos de un año) puede indicar la presencia de corrosión galvánica debida a una corriente directa "parásita". En este caso, puede ser necesario agregar una "tira de conexión a tierra" del tanque Ariston a la tubería de cobre.

1. Apague el suministro de corriente y drene el calentador (consulte la sección "Drenado del calentador").
2. Retire el elemento de calentamiento (consulte la sección anterior).
3. Retire la barra del ánodo (N, fig. 5/2) y reemplácela.
4. **Vuelva a llenar de agua el tanque antes de conectar la corriente.**

Cambio del elemento de calentamiento

1. Apague el suministro de corriente y drene el calentador (consulte la sección Drenado del calentador).
2. Retire el elemento de calentamiento (consulte la sección “**Desmontaje del elemento de calentamiento**”).
3. Instale un nuevo elemento con el empaque, asegurándose de que ambos estén colocados correctamente. Apriete las tuercas de retención y efectúe las conexiones de los alambres.
4. **Vuelva a llenar de agua el tanque antes de conectar la corriente.**

Cambio del termostato

1. Apague el suministro de corriente.
2. Desconecte los dos alambres de tirón y empujón del termostato.
3. Afloje los dos tornillos de bronce situados en el lado derecho del termostato y extraiga los alambres.
4. Desenrosque y retire los dos tornillos Phillips encargados de tener fijo el termostato.
5. Instale el nuevo termostato y ponga otra vez los alambres y los tornillos.

Reajuste del interruptor de alto límite

Ocasionalmente el dispositivo de apagado de límite de alta temperatura puede activarse y apagar el sistema. Esto ocurre cuando la temperatura del agua se excede de 190 °F y apaga la corriente suministrada al elemento de calentamiento. El dispositivo de apagado también puede activarse debido a un apagón o a una tormenta con rayos.

Para alcanzar el termostato:

1. Desconecte cuerda de poder y quite la cubierta anterior. Firmemente prensa repone el botón con la punta de una pluma del punto de pelota u objeto semejante. Un clic indica el repone fue tropezado. Conecte de nuevo el poder.
2. **IMPORTANTE:** Verifique la operación del termostato, esfera de temperatura de vuelta de alto a bajo, si la luz roja no se va a poner bajo, la vuelta lejos alimentación y llamar a una persona del servicio a reemplazar el termostato.
3. Si el sistema trabaja, coloque la colocación de esfera a la colocación deseada. La nota: un bajar la colocación es más económica y reduce el riesgo de escaldar. Reemplace plato de cubierta.

PRECAUCIÓN: Llame a un técnico si es necesario reajustar con frecuencia el límite alto.

Corrección de problemas

No se calienta el agua

1. Asegúrese de que esté encendido y funcione el suministro de corriente.
2. Si no se enciende la luz, verifique que esté oprimido el botón de reajuste; siga los pasos señalados en la sección anterior.
3. Si la luz indicadora funciona correctamente, pero si no sale caliente el agua de la llave, pruebe para ver si hay un cruce de tubería; el agua fría suministrada al calentador y abra la llave de agua caliente. Debe haber ausencia de flujo de agua. Si hay un flujo continuo de agua, indica la presencia de un cruce en la tubería, lo cual afecta la temperatura y debe corregirse.
4. Reemplace el elemento de calentamiento (consulte la sección previa sobre cambio del elemento de calentamiento).

No se enciende la luz

1. Si no se enciende la luz, pero sí se calienta el agua, revise para ver si falla el foco.
2. Revise el botón de reajuste; siga los pasos señalados en la sección anterior.

Agua café

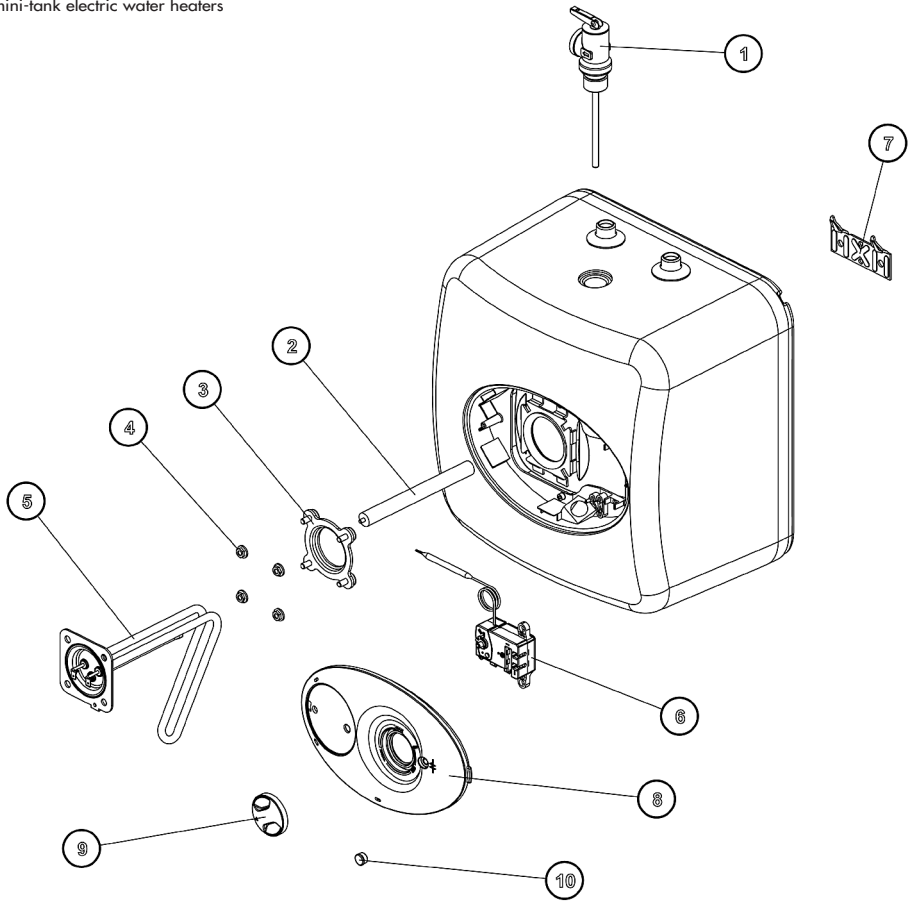
1. La presencia de agua café es una indicación de que está “gastada” la barra del ánodo. Reemplace la barra del ánodo.

Hay olor en el agua

1. El agua con olor puede deberse a una reacción inusual entre el agua de la localidad y la barra del ánodo del calentador. Revise la barra del ánodo (consulte la sección previa sobre cambio de la barra del ánodo).

Goteo

1. Revise la conexión del agua y la conexión de la válvula de alivio de temperatura y presión, en la parte superior del tanque.
2. Retire la tapa delantera e inspeccione el empaque del elemento de calentamiento.
3. Si el tanque pierde por favor llamar a Bosch Water Heating para reclamos cubiertos por el período de garantía.



DESCRIPCIÓN	REF.	PIEZA	CLAVE	DESCRIPCIÓN	REF.
GL 2.5 S	A	1	100XL	VALVULA (T&P 3/4")	ABC
GL 4 S - GL 4 CA S	B	2	570241	ÁNODO (MAGNESIO)	C
GL 6+ S	C	2	574305	ÁNODO (MAGNESIO)	AB
		3	994147	JUNTA CON 4 PERNO	ABC
		4	994140	TUERCA M6	ABC
		5		RESISTENCIA (1500/120)	AB
		5		RESISTENCIA (1500/120)	C
		6		TERMOSTATO CABLEADO	AB
		6		TERMOSTATO CABLEADO	C
		7	570341	ABRAZADERA DE FIJACION	C
		8			
		9			
		10			

**DIAGRAMA DE LOS COMPONENTES
INTERNOS ARISTON
GL 2.5 S, 4 S, 4 CA S, 6+ S**

ARISTON • GARANTÍA LIMITADA DE 6 AÑOS

COBERTURA

ARISTON, A TRAVÉS DE SU DISTRIBUIDOR EN EE.UU., CONTROLLED ENERGY CORP., (en lo sucesivo denominado Bosch) garantiza al propietario (en lo sucesivo denominado el "propietario") este calentador en el lugar original de instalación contra defectos en el material y la mano de obra por los períodos especificados abajo.

PERÍODO DE GARANTÍA

1. **Tanque interno** - Si el tanque interno tiene fugas dentro de un período de seis (6) años a partir de la fecha de la instalación original, Bosch suministrará al propietario un nuevo calentador del modelo comparable común en ese momento.

2. **Cualquier otra pieza componente que no sea el tanque interno original** - Si se comprueba que la pieza componente (que no sea el tanque original) tiene defectos en el material o en la mano de obra, dentro de un período de un (1) año a partir de la fecha de la instalación original del calentador de agua, Bosch suministrará al propietario un repuesto de la(s) pieza(s) defectuosa(s).

3. **Verificación de la fecha de la instalación original** - Cuando el propietario no pueda verificar o documentar la fecha original de la instalación, el período de garantía comienza en la fecha de manufactura marcada en la etiqueta adherida al calentador de agua.

EXCLUSIONES

1. ESTA GARANTÍA LIMITADA ES LA GARANTÍA EXCLUSIVA DEL FABRICANTE Y SE EXPIDE EN LUGAR DE CUALQUIER OTRA GARANTÍA, EXPRESA O IMPLÍCITA (ORAL O ESCRITA), INCLUYENDO, SIN LIMITACIÓN, LAS GARANTÍAS DE COMERCIABILIDAD E INTEGRIDAD PARA UN PROPOSITO EN PARTICULAR.

2. El fabricante no es responsable de ningún gasto o daño incidental, consecuente, especial o contingente que surja, directa o indirectamente, de cualquier defecto en el calentador de agua o del uso del mismo.

3. El fabricante no es responsable de ningún daño causado por agua que surja, directa o indirectamente, de cualquier defecto en las piezas componentes del calentador de agua o del uso del mismo.

4. De conformidad con esta garantía, el fabricante no es responsable si:

- a) El calentador de agua o cualquiera de sus piezas componentes ha sufrido uso indebido, alteración, maltrato o accidentes, o bien,

b) El calentador de agua no se instaló de conformidad con los reglamentos y/o regulaciones de fontanería y/o de construcción relevantes de la localidad, o bien,

c) El calentador de agua no se instaló de conformidad con las instrucciones impresas del fabricante, o bien,

d) No se suministra continuamente agua potable al calentador de agua.

5. 5. El PROPIETARIO, no el fabricante ni sus representantes, es responsable y debe pagar todos los cargos de mano de obra y demás gastos en que se incurra para desmontar y/o reparar el producto, o cualquier gasto en que incurra el propietario para reparar el producto.

ALGUNOS ESTADOS NO PERMITEN LA EXCLUSIÓN O LIMITACIÓN DE DAÑOS INCIDENTALES O CONSECUENTES, POR LO CUAL LA LIMITACIÓN O EXCLUSIÓN DESCRITA ARRIBA PUEDE NO APLICARSE EN SU CASO. ESTA GARANTÍA LE CONFIERE DERECHOS LEGALES ESPECÍFICOS Y ES POSIBLE QUE USTED GOCE DE OTROS DERECHOS LOS CUALES PUEDEN VARIAR DE ESTADO A ESTADO.

NOTA: Todo calentador de agua debe instalarse de una manera tal, que si llegara a tener una fuga de agua, el flujo de agua resultante no cause daños en el área donde esté instalado.

FORMA DE OBTENER SERVICIO O PRESENTAR UN RECLAMO

1. El propietario debe comunicarse con el concesionario quien le vendió el calentador de agua cubierto por esta garantía, o bien,

2. El propietario debe enviar el reclamo de la garantía directamente a Bosch, a la dirección señalada abajo, y ellos se encargarán de los arreglos para el manejo del reclamo.

3. Siempre que presente una solicitud de información o de servicio, asegúrese de incluir el número de modelo del calentador de agua, la fecha de fabricación, la fecha de instalación, el nombre del concesionario, la potencia (watts) y el voltaje.

4. Al devolver el calentador de agua o piezas componentes del mismo, deben estar etiquetados e identificados individualmente con el número de Autorización de Devolución de Artículos expedido por Bosch y deben enviarse con porte prepago a Bosch, a la dirección señalada abajo.

Bosch Thermotechnology Corp.

50 Wentworth Ave Londonderry,

NH03053

www.boschhotwater.com