



TRONIC 4000 C
Electric Tankless Water Heaters
TR4000C-3 | TR4000C-6 | TR4000C-8 | TR4000C-10

Engineering
 Submittal
 Sheet



BOSCH

Overview and Project Information

 	Project Name	
	Location	
	Architect	
	Engineer	
	General Contractor	
	Reference #	
	Date	

Basic Product Information

Model	TR4000C-3	TR4000C-6	TR4000C-8	TR4000C-10
Bosch Part Number	7738007415	7738007416	7738007417	7738007418
Description	EWI USA 110V 3.5kW	EWI USA 240V 6.5kW	EWI USA 240V 8.5kW	EWI USA 240V 10.5kW
UEF (Uniform Energy Factor)	0.94	0.96	0.92	0.95
Temperature Rise Δt 35°F	0.59 GPM	1.26 GPM	1.65 GPM	2.04 GPM
Temperature Rise Δt 45°F	n/a	0.98 GPM	1.28 GPM	1.59 GPM
Temperature Rise Δt 77°F	n/a	0.57 GPM	0.75 GPM	0.93 GPM
Net Weight (Empty Product)	4.4 lbs.			
Gross Weight (incl. Packaging)	5.2 lbs.			

Electrical Specification

Wattage (at maximum Voltage)	3.5 kW	6.5 kW	8.5 kW	10.5 kW
Voltage	110/120V	208/240V	208/240V	208/240V
Frequency	60 Hz			
Phase	Single Phase			
Breaker	1 x 30A Single Pole	1 x 30A Double Pole	1 x 40A Double Pole	1 x 50A Double Pole
Wire Size	10 AWG	10 AWG	8 AWG	6 AWG

Hydraulic Specification

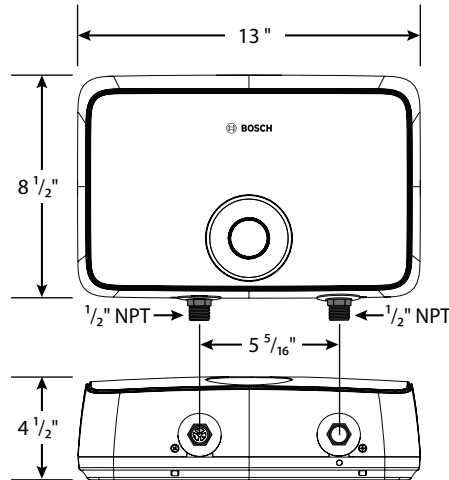
Water Connections	1/2" NPT
Water Pressure Range	7 -115 PSI (0.5 – 8 bar)
Tested Water Pressure	230 PSI (16 bar)
Pressure Relief of Check Valve	123 PSI (8.5 bar)
Activation Flow	0.55 GPM

Features & Benefits

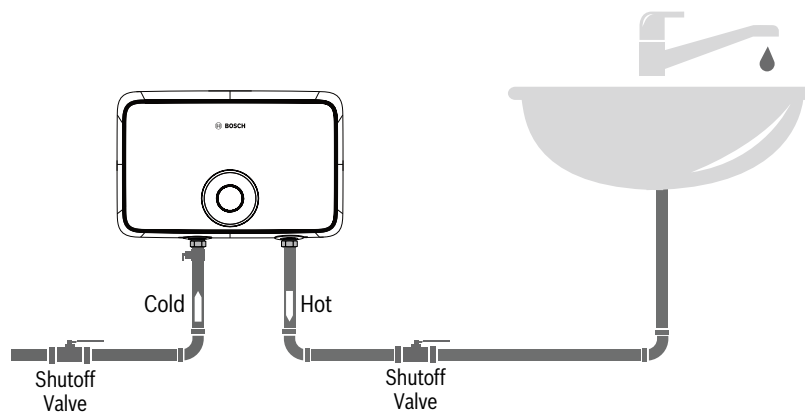
Installation Location	Point-of-use product, install it where hot water is needed, e.g., a sink
Power Options	3 different power levels – low, medium, high
Safety	Multiple thermal cutouts on inlet and outlet to reduce scalding risk
Service	Heating element can be serviced and replaced



Dimensions and Connections



Installation Example



Product Selection Per Application	TR4000C-3	TR4000C-6	TR4000C-8	TR4000C-10
Bathroom Sink <0.8 GPM	✓	✓	⚠	⚠
Kitchen Sink 0.8 - 1.5 GPM	X	✓	✓	⚠
Commercial Sink >1.5 GPM	X	X	✓	✓

✓: ΔT between 25-85 °F

⚠: ΔT above 85 °F (Caution: Potential for Scald Risk)

X : Not recommended for this application