



(110 CFM)

	<p>4" Duct (Standard): 110 CFM/<0.3 Sones @ 0.1 SP, 13.6 Watts 95 CFM/0.6 Sones @ 0.25 SP, 16.0 Watts</p>		
--	---	--	--

Description

Low noise ceiling mount ventilating fan for continuous running. Fan has been awarded ENERGY STAR® Most Efficient in 2015. It is HVI, UL, and cUL certified, and can be used to comply with ASHRAE 62.2 (local and whole building continuous and intermittent operation). Meets CA Title 24 requirements.

DC Motor/Blower

- Power rating of 120 volts/60Hz
- DC brushless motor engineered to run continuously
- Motor equipped with thermal cutoff fuse
- Removable with permanently lubricated plug-in motor
- Built-in soft start function to increase bearings' life
- Automatically powers off when impeller is locked abnormally
- Self-compensating motor speed for intended airflow when static pressure is encountered

Housing

- Galvanized steel body
- Detachable 4" diameter metal duct adapter
- Built-in backdraft damper
- Easy installation with expandable extension bracket

Grille

- Attractive design using ABS material
- Attaches directly to housing with torsion springs

LED Indicator

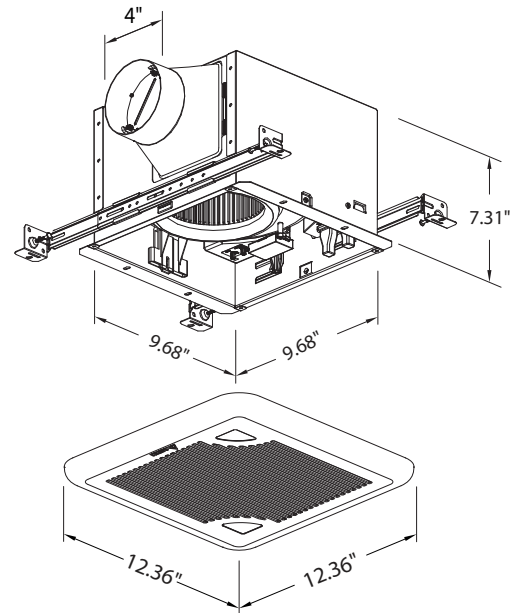
- Turn the power switch on/off to operate on/off. LED indicator will be green when power is on

Warranty

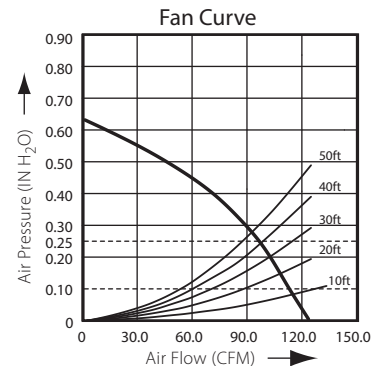
- 3-year limited warranty

TYPICAL SPECIFICATION

Ventilation fan shall be Delta Breez model SIG110; ENERGY STAR qualified with DC brushless motor engineered to run continuously for a minimum 70,000 hours; airflow rating of 110 CFM and loudness rating of <0.3 Sones at 0.1 static pressure as certified by the Home Ventilating Institute (HVI); power consumption of 13.6 Watts with efficiency rating of 9.0 CFM/Watt; fan will feature LED indicator running light, motor lock protection and self-compensating motor speed for intended airflow when static pressure is encountered. UL and cUL listed for tub/shower enclosure when used with GFCI-protected branch circuit wiring.



BreezSignature SIG110	4" Duct (Standard)	
Static Pressure (inches w.g.)	0.1	0.25
Air Flow (CFM)	110	95
Sones	<0.3	0.6
Power Consumption (Watts)	13.6	16.0
Energy Efficiency (CFM/Watt)	9.0	6.4
Current (Amps)	0.38 Max	
Power Rating (V/Hz)	120/60	



Model	Quantity	Comments	Project:
			Location:
			Architect:
			Engineer:
			Contractor:
			Submitted by:
			Date: