

In-Line GFCI Protected Tri-Cord

Heavy duty molded T-head with three receptacles. Provides protection for the extra heavy duty cord and three attached tools. 12 gauge cord is ideal for outdoor - rugged construction type environments. Applications include:

- ▶ Construction Sites
- ▶ Portable Electric Power Tools
- ▶ Saws and Drills
- ▶ Multiple Tools Use

Standard lengths 2', 25' and 50'. To prevent unmonitored equipment startup, manual reset is required after GFCI trip and power outage. Provides compliance with National Electric Code (NEC 2008) Article 590.6 for "Temporary Installations".

FEATURES

26020-008(2') ⓘ

26020-147(25')

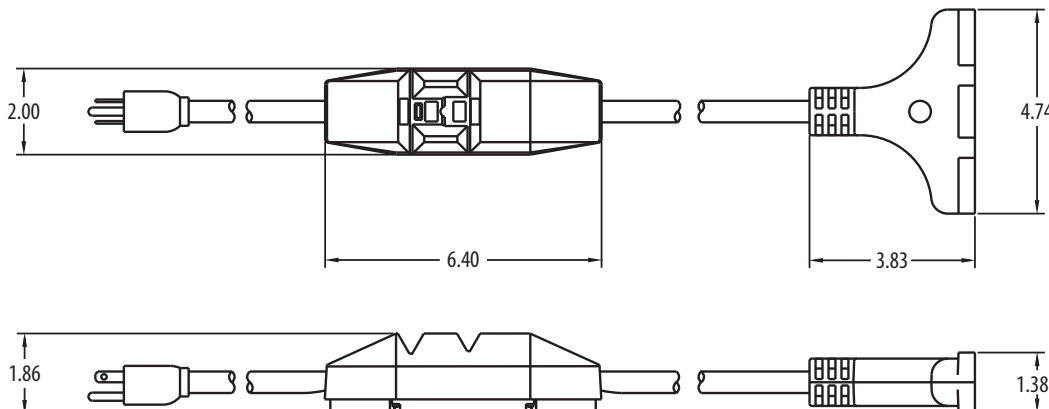
26020-148(50')

- ▶ Volts/Amps: 120V/15A
- ▶ Cord Gauge: 12/3 AWG.
- ▶ NEMA 5-15P & (3)5-15R
- ▶ Trip Level: 4 - 6 mA



TECHNICAL DATA

Grounded Neutral	4 Ohms typical
Trip response time for ground fault and grounded neutral trip	less than 25mS
Voltage surge withstand	3kv ringwave test and 4kv/2kA surge immunity test
Radio frequency noise susceptibility	operates within normal limits with 0.5 volts injected on power line 150kHz-230mHz
Frequency	50 / 60 Hz
Endurance	3,000 operations minimum
Overload Current	six times rated current
Operating temperature range	-35° C to 66° C
Effect of 10 Amp turn DC Shock on ground fault trip	5% maximum trip level variation
Insulation voltage	1500 VRMS - 1 Min.
Power On indication	lighted indicator



1.866.289.4652